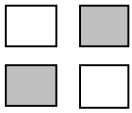


EL or NO B/L

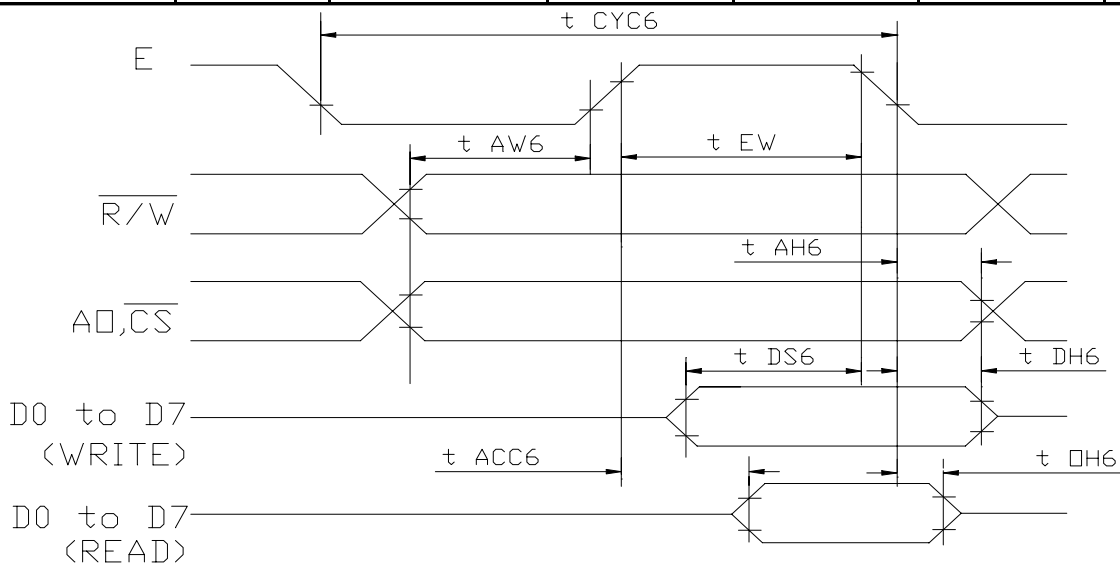
LED B/L



# SG12232A ( 122 DOTS X 32 DOTS )

## ■ TIMING CHARACTERISTICS

ITEM	SYMBOL	MIN.	TYP.	MAX.	UNIT.
System Cycle Time	$t_{CYC6}$	1000	-	-	ns
Address Set-up Time	$t_{AW6}$	20	-	-	ns
Address Hold Time	$t_{AH6}$	10	-	-	ns
Data Set-up Time	$t_{DS6}$	80	-	-	ns
Data Hold Time	$t_{DH6}$	10	-	-	ns
Output Disable Time	$t_{OH6}$	10	-	60	ns
Access Time	$t_{ACC6}$	-	-	90	ns
Enable Pulse Width	Read	100	-	-	ns
	Write	80	-	-	ns



## ■ BLOCK DIAGRAM

