

**SPECIFICATIONS FOR
DISPLAY MODULE**

MODEL NO : ACM041AWWB-H-U01

CUSTOMER :

APPROVED SIGNATURE

DSGD :

CHKD : Peter Li

APPD : Peng Jun

DATE : 2017-11-07

YUDU AMSON ELECTRONICS CO.,LTD.

YuDu Industrial Garden,Ganzhou City,JiangXi,China

TEL : 86-797-6330063

FAX : 86-797-6330055



<u>Revision Record</u>				
No.	Date	Model No.	Version	Remarks
1	2017-11-07	ACM041AWWB-H-U01	REV.0	Spec RoHs-Compliant



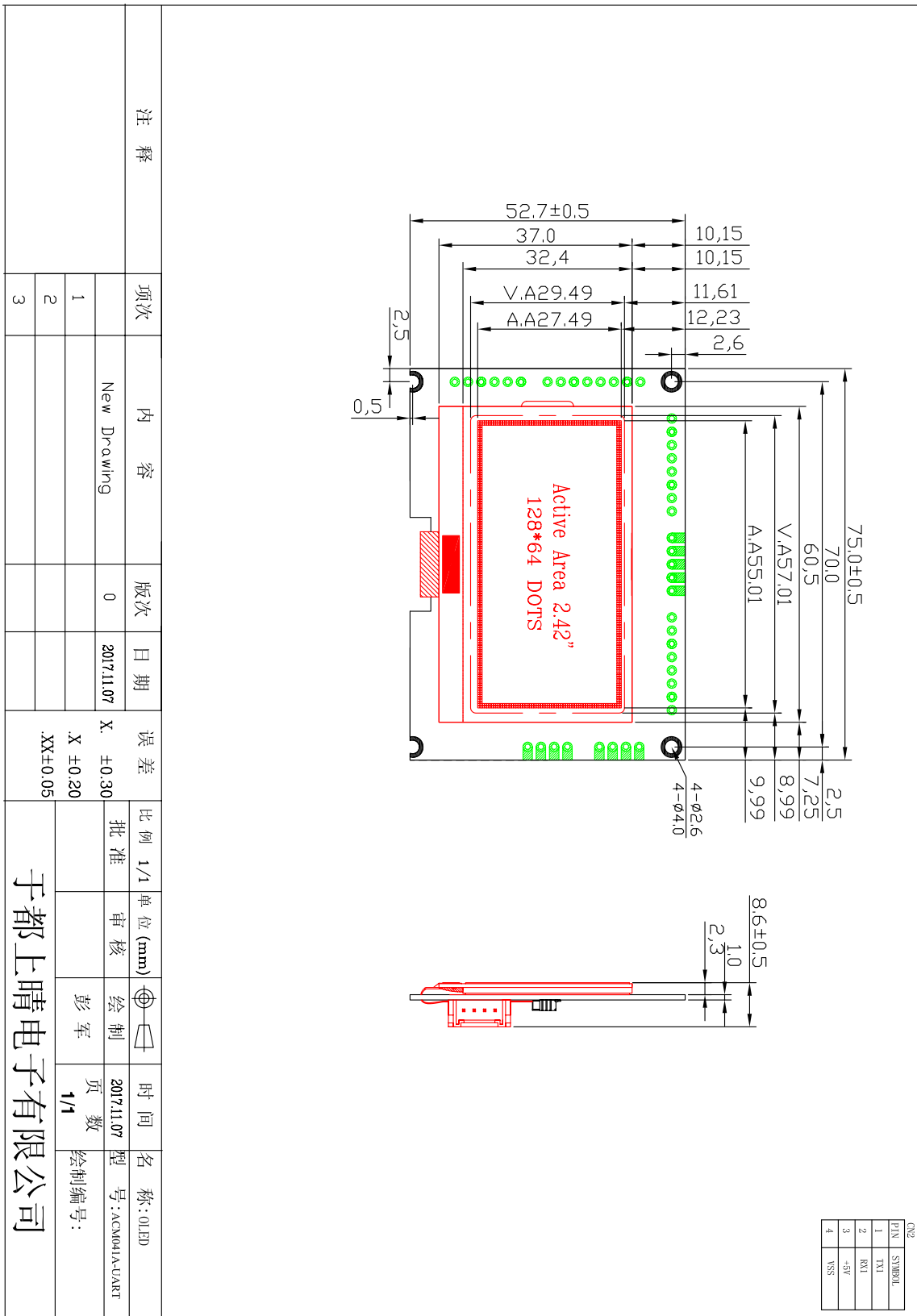
GENERAL SPECIFICATION.

ITEM	DESCRIPTION				
Product No	ACM041AWWB-H-U01				
OLED Type	<input checked="" type="checkbox"/> OLED White & Black				
Rear Polarizer	<input checked="" type="checkbox"/> Reflective / Positive				
Backlight Type	<input checked="" type="checkbox"/> OLED				
OLED Color	<input type="checkbox"/> Yellow	<input type="checkbox"/> Green	<input type="checkbox"/> Amber	<input checked="" type="checkbox"/> White	<input type="checkbox"/>
Temperature Range	<input checked="" type="checkbox"/> Wide Temp., 5V, Single Supply Voltage				
Frame	<input checked="" type="checkbox"/> Black				

TO BE VERY CAREFUL !

The LCD driver ICs are made by CMOS process, which are very easy to be damaged by static charge, make sure the user is grounded when handling the LCM.

✘This parts comply with RoHs

EXTERNAL DIMENSION.


项次	内 容	版次	日 期	误 差	比 例	批 准	单 位 (mm)	审 核	绘 制	时 间	名 称
1	New Drawing	0	2017.11.07	X ±0.30	1/1				彭 军	2017.11.07	OLEED
2				X ±0.20						1/1	型 号: ACM041A-UART
3				XX±0.05							绘 制 编 号:

于都上晴电子有限公司



ABSOLUTE MAXIMUM RATING

(1) Electrical Absolute Ratings.

Item	Symbol	Min.	Max.	Unit	Note
Power Supply for Logi2	$V_{DD}-V_{SS}$	4.5	5.5	Volt	1,2
Backlight Luminance	L_v	80	-	cd/m^2	3

Note 1: All the above voltages are on the basis of “ V_{SS} ” = 0V”.

Note 2: When this module is used beyond the above absolute maximum ratings, permanent breakage of the module may occur.

Note3: Test Point Distance:500mm ± 50.

(2) Environmental Absolute Maximum Ratings.

Item	Wide Temperature			
	Operating		Storage	
	Min,	Max.	Min,	Max.
Ambient Temperature	-20°C	+70°C	-30°C	+80°C
Humidity (without condensation)	Note 1,2		Note 1,3	

Note 1 Background color changes slightly depending on ambient temperature. This phenomenon is reversible.

Note 2 $T_a \leq 70^\circ C$: 75%RH max.

$T_a > 70^\circ C$: absolute humidity must be lower than the humidity of 75%RH at 70°C.

Note 3 T_a at -20°C will be <48hrs, at 80 °C will be <120hrs when humidity is higher than 70%.



ELECTRICAL CHARACTERISTICS.

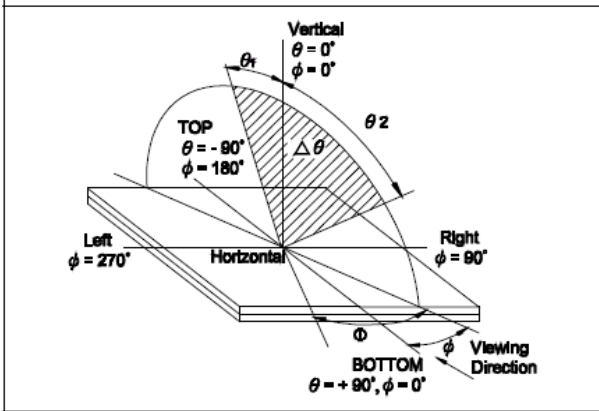
Item	Symbol	Condition	Min.	Typ	Max.	Unit	Note
Power Supply for Logic	$V_{DD}-V_{SS}$	$T_a = 25^{\circ}C$	4.5	5.0	5.5	Volt	
Input Voltage	V_{IL}	L level	0	-	$0.3V_{DD}$	Volt	
	V_{IH}	H level	$0.7V_{DD}$	-	V_{DD}	Volt	
Onput Voltage	V_{OL}	L level	0	-	$0.3V_{DD}$	Volt	
	V_{OH}	H level	$0.7V_{DD}$	-	V_{DD}	Volt	
Power Supply Current for LCM	I_{DD}	$V_{DD}=5.0V$	-	162	-	mA	

Note1. Duty Ratio=1/65,Bias=1/9. Note2. Measured in Dots ON-State.

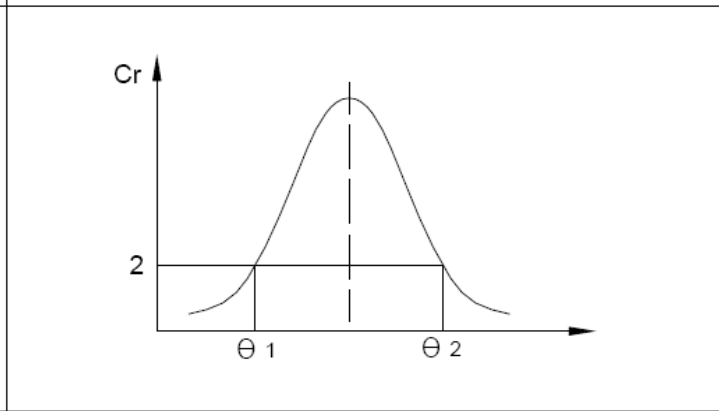
OPTICAL CHARACTERISTICS.

Item	Symbol	Condition	Min.	Typ	Max.	Unit	note
Viewing angle range	$\Phi f(12\text{ o'clock})$	$T_a=25^{\circ}C$	-	85	-	Degree	1,2,5
	$\Phi b(6\text{ o'clock})$		-	85	-		
	$\Phi l(9\text{ o'clock})$		-	85	-		
	$\Phi r(3\text{ o'clock})$		-	85	-		
Rise Time	T_r	$T_a=25^{\circ}C,$ $\Phi=0^{\circ},$ $\theta=0^{\circ}$	-	40	-	Ns	4
Fall Time	T_f		-	40	-		
Frame frequency	F_{rm}		-	-	-	Hz	
Contrast	Cr		10000	-	-	-	3
Brightness	L		60	80	-	cd/m^2	
Peak Emission Wavelength	C.I.E (White)		X=0.25 Y=0.27	X=0.29 Y=0.31	X=0.33 Y=0.35		

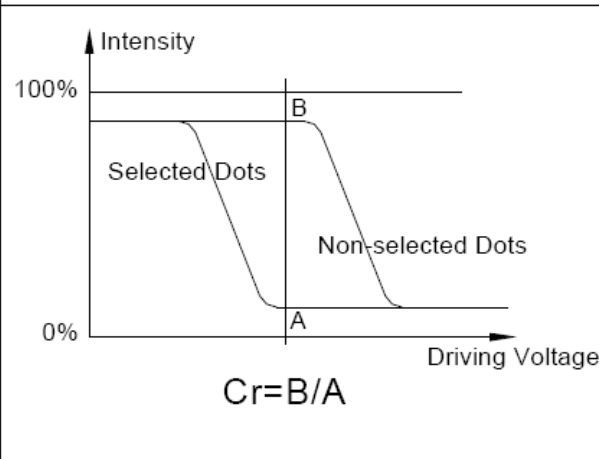
Note1 . Definition of Angle θ & ϕ



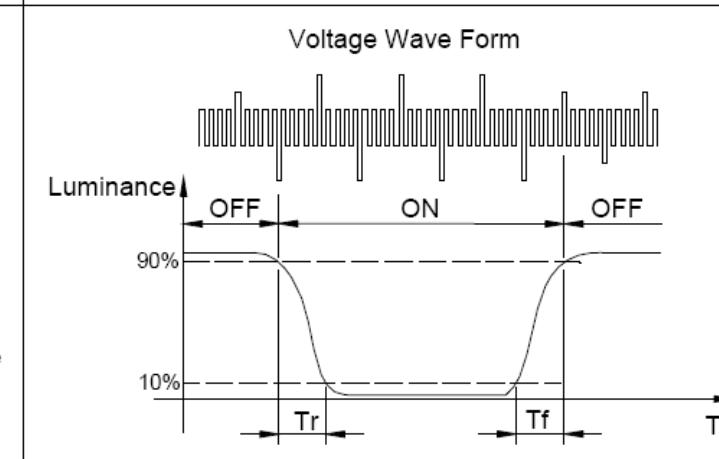
Note2. Definition of Viewing Angle θ_1 & θ_2



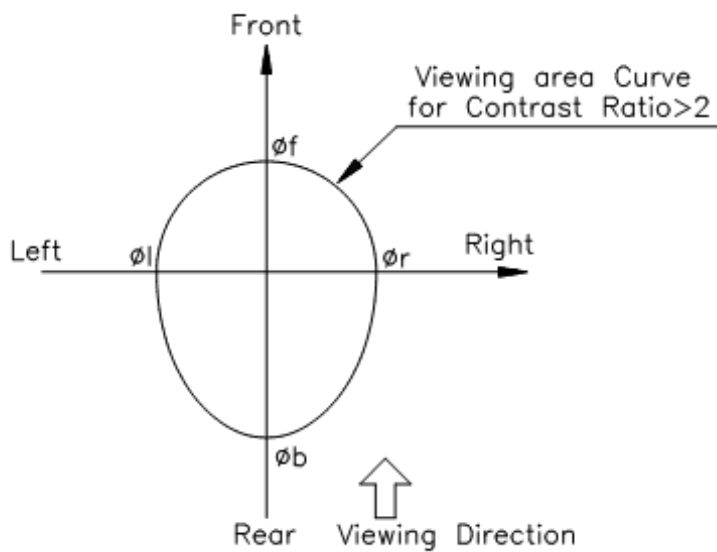
Note3 . Definition of Contrast Cr



Note4. Definition of Optical Response



Note 5 Definition of Viewing Direction.





Model No:ACM041AWWB-H-U01

MECHANICAL SPECIFICATION

ITEM	DESCRIPTION
Product No.	ACM041AWWB-H-U01
Viewing Area	57.01(W)mm×29.49(H)mm
Module Size	75.0(W)×52.7(H)×8.6(D)
Dot Size	0.40(W)mm×0.40(H)mm
Dot Pitch	0.43(W)mm×0.43(H)mm
Display Format	128 (W)×64 (H)
Controller Interface	STM32F030C8T6 UART
ROM Selection	-
Built-in	With DC/DC Converter
Module Weight	(g)

INTERFACE PIN ASSIGNMENT(CN2)

Pin No.	Pin Out	Level	Description
1	TX1	H/L	Serial Transmit Signal
2	RX1	H/L	Serial Transmit Signal
3	+5V	+5V	Power Supply Voltage
4	VSS	0V	Power Supply Ground



FUNCTIONAL SPECIFICATION

(1)UART CONFIGURATION:

ITEM	SETTING VALUE
BAUD RATE	115200
DATA BIT	8
STOP BIT	1
PARITY BIT	NONE
FLOW CONTROL	NONE

(2)COMMAND LIST:

Code	Function	Sequence of HEX command mode through UART	API for Arduino
N/A	Sent a image(192X64 bitmap) to LED Display (An array consist of 1024 bytes bitmap information)	<ol style="list-style-type: none"> 1. A "for" loop to send 1024 bytes user define display information 2. Wait until receive a module available byte ('E') from LED Display 3. Wait 2ms 	<pre>for (i = 0 ; i < 1024; i++) { Serial.write(User_define_array[i]); } while (Serial.read() !='E') {} delay(2);</pre>
0x80	Write a 5X7 Character	<ol style="list-style-type: none"> 1. Send 0x80 2. Send which line to put this character 3. Send which cloumn to put this character 4. Send character's ASCII code 5. Wait until receive a module available byte ('E') from LED Display 6. Wait 2ms 	<pre>void Write_5X7_Character(int line, int column, int negative, char Char) { Serial.write(0x80); Serial.write(line); Serial.write(column); Serial.print(Char); while (Serial.read() !='E') {} delay(2); }</pre>
0x81	Write a 8X8 String	<ol style="list-style-type: none"> 1. Send 0x81 2. Send which line to start the string 3. Send which cloumn to start the string 4. Send string 5. Wait until receive a module available byte('E') from LED Display 6. Wait 2ms 	<pre>void Write_5X7_String(int line, int column, int negative, char * string) { Serial.write(0x81); Serial.write(line); Serial.write(column); Serial.print(string); while (Serial.read() !='E') {} delay(2); }</pre>
0x82	Write a 8X16 Character	<ol style="list-style-type: none"> 1. Send 0x82 2. Send which line to put this character 3. Send which cloumn to put this character 4. Send character's ASCII code 5.Wait until receive a module available byte('E') from LED Display 6. Wait 2ms 	<pre>void Write_8X16_Character(int line, int column, int negative, char Char) { Serial.write(0x82); Serial.write(line); Serial.write(column); Serial.print(Char); while (Serial.read() !='E') {} delay(2); }</pre>



0x83	Write a 8X16 String	<ol style="list-style-type: none"> 1. Send 0x83 2. Send which line to start the string 3. Send which column to start the string 4. Send string 5. Wait until receive a module available byte('E') from LED Display 6. Wait 2ms 	<pre>void Write_8X16_String(int line, int column, int negative, char * string) { Serial.write(0x83); Serial.write(line); Serial.write(column); Serial.print(string); while (Serial.read() !='E') {} delay(2); }</pre>
0x84	Dsisplay a 8X8 pattern	<ol style="list-style-type: none"> 1. Send 0x84 2. Send the Up Left X coordinate of pattern 3. Send the Up Left Y coordinate of pattern 4. Send the ID of pattern 5. Wait until receive a module available byte ('E') from LED Display 6. Wait 2ms 	<pre>void Write_8X8_Pattern(int Up_Left_Xpos, int Up_Left_Ypos, int negative, int Pattern_ID) { Serial.write(0x84); Serial.write(Up_Left_Xpos); Serial.write(Up_Left_Ypos); Serial.write(Pattern_ID); while (Serial.read() !='E') {} delay(2); }</pre>
0x85	Dsisplay a 8X16 pattern	<ol style="list-style-type: none"> 1. Send 0x85 2. Send the Up Left X coordinate of pattern 3. Send the Up Left Y coordinate of pattern 4. Send the ID of pattern 5.Wait until receive a module available byte ('E') from LED Display 6. Wait 2ms 	<pre>void Write_8X16_Pattern(int Up_Left_Xpos, int Up_Left_Ypos, int negative, int Pattern_ID) { Serial.write(0x85); Serial.write(Up_Left_Xpos); Serial.write(Up_Left_Ypos); Serial.write(Pattern_ID); while (Serial.read() !='E') {} delay(2); }</pre>
0x86	Dsisplay a 16X16 pattern	<ol style="list-style-type: none"> 1. Send 0x86 2. Send the Up Left X coordinate of pattern 3. Send the Up Left Y coordinate of pattern 4. Send the ID of pattern 5.Wait until receive a module available byte ('E') from LED Display 6. Wait 2ms 	<pre>void Write_16X16_Pattern(int Up_Left_Xpos, int Up_Left_Ypos, int negative, int Pattern_ID) { Serial.write(0x86); Serial.write(Up_Left_Xpos); Serial.write(Up_Left_Ypos); Serial.write(Pattern_ID); while (Serial.read() !='E') {} delay(2); }</pre>
0x87	Dsisplay a 32X32 pattern	<ol style="list-style-type: none"> 1. Send 0x87 2. Send the Up Left X coordinate of pattern 3. Send the Up Left Y coordinate of pattern 4. Send the ID of pattern 5.Wait until receive a module available byte ('E') from LED Display 6. Wait 2ms 	<pre>void Write_32X32_Pattern(int Up_Left_Xpos, int Up_Left_Ypos, int negative, int Pattern_ID) { Serial.write(0x87); Serial.write(Up_Left_Xpos); Serial.write(Up_Left_Ypos); Serial.write(Pattern_ID); while (Serial.read() !='E') {} delay(2); }</pre>
0x90	Draw a line	<ol style="list-style-type: none"> 1. Send 0x90 2. Send the X coordinate of first point 3. Send the Y coordinate of first point 4. Send the X coordinate of second point 5. Send the Y coordinate of second point 6. Send 1 or 0 for display mode (1 for positive, 0 for negative) 7.Wait until receive a module available 	<pre>void Draw_Line(int X0_Pos, int Y0_Pos, int X1_Pos, int Y1_Pos, int negative) { Serial.write(0x90); Serial.write(X0_Pos); Serial.write(Y0_Pos); Serial.write(X1_Pos); Serial.write(Y1_Pos); Serial.write(0 or 1); while (Serial.read() !='E') {} delay(2); }</pre>



		byte ('E') from LED Display 8. Wait 2ms	}
0x91	Draw a Rectangle	1. Send 0x91 2. Send the X coordinate of up left corner 3. Send the Y coordinate of up left corner 4. Send the X coordinate of bottom right corner 5. Send the Y coordinate of bottom right corner 6. Send 1 or 0 for display mode (1 for positive, 0 for negative) 7.Wait until receive a module available byte ('E') from LED Display 8. Wait 2ms	void Draw_Rectangle(int X0_Pos, int Y0_Pos, int X1_Pos, int Y1_Pos, int negative) { Serial.write(0x91); Serial.write(X0_Pos); Serial.write(Y0_Pos); Serial.write(X1_Pos); Serial.write(Y1_Pos); Serial.write(0 or 1); while (Serial.read() !='E') {} }
0x92	Draw a filled Rectangle	1. Send 0x92 2. Send the X coordinate of up left corner 3. Send the Y coordinate of up left corner 4. Send the X coordinate of bottom right corner 5. Send the Y coordinate of bottom right corner 6. Send 1 or 0 for display mode (1 for positive, 0 for negative) 7.Wait until receive a module available byte ('E') from LED Display 8. Wait 2ms	void Draw_Filled_Rectangle(int X0_Pos, int Y0_Pos, int X1_Pos, int Y1_Pos, int negative) { Serial.write(0x92); Serial.write(X0_Pos); Serial.write(Y0_Pos); Serial.write(X1_Pos); Serial.write(Y1_Pos); Serial.write(0 or 1); while (Serial.read() !='E') {} delay(2); }
0x93	Draw a Square	1. Send 0x93 2. Send the X coordinate of up left corner 3. Send the Y coordinate of up left corner 4. Send the width of this square 5. Send 1 or 0 for display mode (1 for positive, 0 for negative) 6.Wait until receive a module available byte ('E') from LED Display 7. Wait 2ms	void Draw_Square(int X0_Pos, int Y0_Pos, int width, int negative) { Serial.write(0x93); Serial.write(X0_Pos); Serial.write(Y0_Pos); Serial.write(width); Serial.write(0 or 1); while (Serial.read() !='E') {} delay(2); }
0x94	Draw a Circle	1. Send 0x94 2. Send the X coordinate of the center 3. Send the Y coordinate of the center 4. Send the radius of this circle 5. Send 1 or 0 for display mode (1 for positive, 0 for negative) 6.Wait until receive a module available byte ('E') from LED Display 7. Wait 2ms	void Draw_Circle(int X0_Pos, int Y0_Pos, int radius, int negative) { Serial.write(0x94); Serial.write(X0_Pos); Serial.write(Y0_Pos); Serial.write(radius); Serial.write(0 or 1); while (Serial.read() !='E') {} delay(2); }



0x95	Draw a filled Circle	<ol style="list-style-type: none"> 1. Send 0x95 2. Send the X coordinate of the center 3. Send the Y coordinate of the center 4. Send the radius of this circle 5. Send 1 or 0 for display mode (1 for positive, 0 for negative) 6.Wait until receive a module available byte ('E') from LED Display 7. Wait 2ms 	<pre>void Draw_Filled_Circle(int X0_Pos, int Y0_Pos, int radius, int negative) { Serial.write(0x95); Serial.write(X0_Pos); Serial.write(Y0_Pos); Serial.write(radius); Serial.write(0 or 1); while (Serial.read() !='E') {} delay(2); }</pre>
0x96	Draw a tip upward Triangle	<ol style="list-style-type: none"> 1. Send 0x96 2. Send the X coordinate of the tip 3. Send the Y coordinate of the tip 4. Send the height of the tip to the bottom 5. Send 1 or 0 for display mode (1 for positive, 0 for negative) 6.Wait until receive a module available byte ('E') from LED Display 7. Wait 2ms 	<pre>void Draw_Triangle_Up_Ward(int X0_Pos, int Y0_Pos, int height, int negative) { Serial.write(0x96); Serial.write(X0_Pos); Serial.write(Y0_Pos); Serial.write(height); Serial.write(0 or 1); while (Serial.read() !='E') {} }</pre>
0x97	Draw a filled tip upward Triangle	<ol style="list-style-type: none"> 1. Send 0x97 2. Send the X coordinate of the tip 3. Send the Y coordinate of the tip 4. Send the height of the tip to the bottom 5. Send 1 or 0 for display mode (1 for positive, 0 for negative) 6.Wait until receive a module available byte ('E') from LED Display 7. Wait 2ms 	<pre>void Draw_Filled_Triangle_Up_Ward(int X0_Pos, int Y0_Pos, int height, int negative) { Serial.write(0x97); Serial.write(X0_Pos); Serial.write(Y0_Pos); Serial.write(height); Serial.write(0 or 1); while (Serial.read() !='E') {} delay(2); }</pre>
0x98	Draw a tip downward Triangle	<ol style="list-style-type: none"> 1. Send 0x98 2. Send the X coordinate of the tip 3. Send the Y coordinate of the tip 4. Send the height of the tip to the top 5. Send 1 or 0 for display mode (1 for positive, 0 for negative) 6.Wait until receive a module available byte ('E') from LED Display 7. Wait 2ms 	<pre>void Draw_Triangle_Down_Ward(int X0_Pos, int Y0_Pos, int height, int negative) { Serial.write(0x98); Serial.write(X0_Pos); Serial.write(Y0_Pos); Serial.write(height); Serial.write(0 or 1); while (Serial.read() !='E') {} delay(2); }</pre>
0x99	Draw a filled tip downward Triangle	<ol style="list-style-type: none"> 1. Send 0x99 2. Send the X coordinate of the tip 3. Send the Y coordinate of the tip 4. Send the height of the tip to the top 5. Send 1 or 0 for display mode (1 for positive, 0 for negative) 6.Wait until receive a module available byte ('E') from LED Display 7. Wait 2ms 	<pre>void Draw_Filled_Triangle_Down_Ward(int X0_Pos, int Y0_Pos, int height, int negative) { Serial.write(0x99); Serial.write(X0_Pos); Serial.write(Y0_Pos); Serial.write(height); Serial.write(0 or 1); while (Serial.read() !='E') {} delay(2); }</pre>
0x9a	Draw a tip leftward Triangle	<ol style="list-style-type: none"> 1. Send 0x9a 2. Send the X coordinate of the tip 3. Send the Y coordinate of the tip 4. Send the width of the tip to the right 5. Send 1 or 0 for display mode (1 for positive, 0 for negative) 	<pre>void Draw_Triangle_Left_Ward(int X0_Pos, int Y0_Pos, int width, int negative) { Serial.write(0x9a); Serial.write(X0_Pos); Serial.write(Y0_Pos); Serial.write(width); }</pre>



		6.Wait until receive a module available byte ('E') from LED Display 7. Wait 2ms	Serial.write(0 or 1); while (Serial.read() !='E') {} delay(2); }
0x9b	Draw a filled tip leftward Triangle	1. Send 0x9b 2. Send the X coordinate of the tip 3. Send the Y coordinate of the tip 4. Send the width of the tip to the right 5. Send 1 or 0 for display mode (1 for positive, 0 for negative) 6.Wait until receive a module available byte ('E') from LED Display 7. Wait 2ms	void Draw_Filled_Triangle_Left_Ward(int X0_Pos, int Y0_Pos, int width, int negative) { Serial.write(0x9b); Serial.write(X0_Pos); Serial.write(Y0_Pos); Serial.write(width); Serial.write(0 or 1); while (Serial.read() !='E') {} delay(2); }
0x9c	Draw a tip rightward Triangle	1. Send 0x9c 2. Send the X coordinate of the tip 3. Send the Y coordinate of the tip 4. Send the width of the tip to the left 5. Send 1 or 0 for display mode (1 for positive, 0 for negative) 6.Wait until receive a module available byte ('E') from LED Display 7. Wait 2ms	void Draw_Triangle_Right_Ward(int X0_Pos, int Y0_Pos, int width, int negative) { Serial.write(0x9c); Serial.write(X0_Pos); Serial.write(Y0_Pos); Serial.write(width); Serial.write(0 or 1); while (Serial.read() !='E') {} delay(2); }
0x9d	Draw a filled tip rightward Triangle	1. Send 0x9d 2. Send the X coordinate of the tip 3. Send the Y coordinate of the tip 4. Send the width of the tip to the left 5. Send 1 or 0 for display mode (1 for positive, 0 for negative) 6.Wait until receive a module available byte ('E') from LED Display 7. Wait 2ms	void Draw_Filled_Triangle_Right_Ward(int X0_Pos, int Y0_Pos, int width, int negative) { Serial.write(0x9d); Serial.write(X0_Pos); Serial.write(Y0_Pos); Serial.write(width); Serial.write(0 or 1); while (Serial.read() !='E') {} delay(2); }
0x9e	Set a pixel for positive display (show pixel)	1. Send 0x9e 2. Send the X coordinate of the pixel 3. Send the Y coordinate of the pixel 4.Wait until receive a module available byte ('E') from LED Display 5. Wait 2ms	void Set_Pixel(int X0_Pos, int Y0_Pos) { Serial.write(0x9e); Serial.write(X0_Pos); Serial.write(Y0_Pos); while (Serial.read() !='E') {} delay(2); }
0x9f	Set a pixel for negative display (clear pixel)	1. Send 0x9f 2. Send the X coordinate of the pixel 3. Send the Y coordinate of the pixel 4.Wait until receive a module available byte ('E') from LED Display 5. Wait 2ms	void Clear_Pixel(int X0_Pos, int Y0_Pos) { Serial.write(0x9f); Serial.write(X0_Pos); Serial.write(Y0_Pos); while (Serial.read() !='E') {} delay(2); }
0xa0	Display image row by row Up Ward	1. Send 0xa0 2. Send the speed (typical time is 20ms) 3.Wait until receive a module available byte ('E') from LED Display 4. Wait 2ms	void Display_Row_By_Row_Up_Ward(int Speed) { Serial.write(0xa0); Serial.write(speed); while (Serial.read() !='E') {} delay(2); }



			}
0xa1	Display image row by row Down Ward	1. Send 0xa1 2. Send the speed (typical time is 20ms) 3.Wait until receive a module available byte ('E') from LED Display 4. Wait 2ms	void Display_Row_By_Row_Down_Ward(int speed) { Serial.write(0xa1); Serial.write(speed); while (Serial.read() !='E') {} delay(2); }
0xa2	Display image column by column Left Ward	1. Send 0xa2 2. Send the speed (typical time is 20ms) 3.Wait until receive a module available byte ('E') from LED Display 4. Wait 2ms	void Display_Column_By_Column_Left_Ward(int speed) { Serial.write(0xa2); Serial.write(Speed); while (Serial.read() !='E') {} delay(2); }
0xa3	Display image column by column Right Ward	1. Send 0xa3 2. Send the speed (typical time is 20ms) 3.Wait until receive a module available byte ('E') from LED Display 4. Wait 2ms	void Display_Column_By_Column_Right_Ward(int Speed) { Serial.write(0xa3); Serial.write(Speed); while (Serial.read() !='E') {} delay(2); }
0xa4	Erase image row by row Up Ward	1. Send 0xa4 2. Send the speed (typical time is 20ms) 3.Wait until receive a module available byte ('E') from LED Display 4. Wait 2ms	void Erase_Row_By_Row_Up_Ward(int Speed) { Serial.write(0xa4); Serial.write(Speed); while (Serial.read() !='E') {} delay(2); }
0xa5	Erase image row by row Down Ward	1. Send 0xa5 2. Send the speed (typical time is 20ms) 3.Wait until receive a module available byte ('E') from LED Display 4. Wait 2ms	void Erase_Row_By_Row_Down_Ward(int Speed) { Serial.write(0xa5); Serial.write(Speed); while (Serial.read() !='E') {} delay(2); }
0xa6	Erase image column by column Left Ward	1. Send 0xa6 2. Send the speed (typical time is 20ms) 3.Wait until receive a module available byte ('E') from LED Display 4. Wait 2ms	void Erase_Column_By_Column_Left_Ward(int Speed) { Serial.write(0xa6); Serial.write(Speed); while (Serial.read() !='E') {} delay(2); }
0xa7	Erase image column by column Right Ward	1. Send 0xa7 2. Send the speed (typical time is 20ms) 3.Wait until receive a module available byte ('E') from LED Display 4. Wait 2ms	void Erase_Column_By_Column_Right_Ward(int Speed) { Serial.write(0xa7); Serial.write(Speed); while (Serial.read() !='E') {} delay(2); }
0xa8	Display image Inside Out	1. Send 0xa8 2. Send the speed (typical time is 20ms) 3.Wait until receive a module available byte ('E') from LED Display	void Display_Inside_Out(int Speed) { Serial.write(0xa8); Serial.write(Speed); while (Serial.read() !='E') {} }



		4. Wait 2ms	delay(2); }
0xa9	Display image Outside In	1. Send 0xa9 2. Send the speed (typical time is 20ms) 3.Wait until receive a module available byte ('E') from LED Display 4. Wait 2ms	void Display_Outside_In(int Speed) { Serial.write(0xa9); Serial.write(Speed); while (Serial.read() !='E') {} delay(2); }
0xaa	Erase image Inside Out	1. Send 0xaa 2. Send the speed (typical time is 20ms) 3.Wait until receive a module available byte ('E') from LED Display 4. Wait 2ms	void Erase_Inside_Out(int Speed) { Serial.write(0xaa); Serial.write(Speed); while (Serial.read() !='E') {} delay(2); }
0xab	Erase image Outside In	1. Send 0xab 2. Send the speed (typical time is 20ms) 3.Wait until receive a module available byte ('E') from LED Display 4. Wait 2ms	void Erase_Outside_In(int Speed) { Serial.write(0xab); Serial.write(Speed); while (Serial.read() !='E') {} }
0xd0	Clear display	1. Send 0xd0 2.Wait until receive a module available byte ('E') from LED Display 3. Wait 2ms	void Clear_Display_Momery(void) { Serial.write(0xd0); while (Serial.read() !='E') {} delay(2); }
0xd1	Show the data in the display memory	1. Send 0xd1 2.Wait until receive a module available byte ('E') from LED Display 3. Wait 2ms	void Show_Display_Momery(void) { Serial.write(0xd1); while (Serial.read() !='E') {} }
0xd2	Scroll the whole display upward	1. Send 0xd2 2. Send the shift time (typical time is 70ms) 3.Wait until receive a module available byte ('E') from LED Display 4. Wait 2ms	void Scroll_Whole_Display_Memory_Up(int shift time) { Serial.write(0xd2); Serial.write(shift time); while (Serial.read() !='E') {} delay(2); }
0xd3	Scroll the whole display downward	1. Send 0xd3 2. Send the shift time (typical time is 70ms) 3.Wait until receive a module available byte ('E') from LED Display 4. Wait 2ms	void Scroll_Whole_Display_Memory_Down(int shift time) { Serial.write(0xd3); Serial.write(shift time); while (Serial.read() !='E') {} delay(2); }
0xd4	Scroll the whole display leftward	1. Send 0xd4 2. Send the shift time (typical time is 70ms) 3.Wait until receive a module available byte ('E') from LED Display 4. Wait 2ms	void Scroll_Whole_Display_Memory_Left(int shift time) { Serial.write(0xd4); Serial.write(shift time); while (Serial.read() !='E') {} delay(2); }
0xd5	Scroll the whole display rightward	1. Send 0xd5 2. Send the shift time (typical time is 70ms) 3.Wait until receive a module available byte ('E') from LED Display 4. Wait 2ms	void Scroll_Whole_Display_Memory_Right(int shift time) { Serial.write(0xd5); Serial.write(shift time); while (Serial.read() !='E') {} }



			<pre> delay(2); } </pre>
0xd6	Scroll the section display upward	<ol style="list-style-type: none"> 1. Send 0xd6 2. Send the X coordinate of up left corner 3. Send the Y coordinate of up left corner 4. Send the X coordinate of bottom right corner 5. Send the Y coordinate of bottom right corner 6. Send the shift time (typical time is 20ms) 7.Wait until receive a module available byte ('E') from LED Display 8. Wait 2ms 	<pre> void Scroll_Section_Display_Memory_Up(int X0_Pos, int Y0_Pos, int X1_Pos, int Y1_Pos, int shift time) { Serial.write(0xd6); Serial.write(X0_Pos); Serial.write(Y0_Pos); Serial.write(X1_Pos); Serial.write(Y1_Pos); Serial.write(shift time); while (Serial.read() !='E') {}; delay(2); } </pre>
0xd7	Scroll the section display downward	<ol style="list-style-type: none"> 1. Send 0xd7 2. Send the X coordinate of up left corner 3. Send the Y coordinate of up left corner 4. Send the X coordinate of bottom right corner 5. Send the Y coordinate of bottom right corner 6. Send the shift time (typical time is 70ms) 7.Wait until receive a module available byte ('E') from LED Display 8. Wait 2ms 	<pre> void Scroll_Section_Display_Memory_Down(int X0_Pos, int Y0_Pos, int X1_Pos, int Y1_Pos, int shift time) { Serial.write(0xd7); Serial.write(X0_Pos); Serial.write(Y0_Pos); Serial.write(X1_Pos); Serial.write(Y1_Pos); Serial.write(shift time); while (Serial.read() !='E') {} delay(2); } </pre>
0xd8	Scroll the section display leftward	<ol style="list-style-type: none"> 1. Send 0xd8 2. Send the X coordinate of up left corner 3. Send the Y coordinate of up left corner 4. Send the X coordinate of bottom right corner 5. Send the Y coordinate of bottom right corner 6. Send the shift time (typical time is 20ms) 7.Wait until receive a module available byte ('E') from LED Display 8. Wait 2ms 	<pre> void Scroll_Section_Display_Memory_Left(int X0_Pos, int Y0_Pos, int X1_Pos, int Y1_Pos, int shift time) { Serial.write(0xd8); Serial.write(X0_Pos); Serial.write(Y0_Pos); Serial.write(X1_Pos); Serial.write(Y1_Pos); Serial.write(shift time); while (Serial.read() !='E') {} delay(2); } </pre>
0xd9	Scroll the section display rightward	<ol style="list-style-type: none"> 1. Send 0xd9 2. Send the X coordinate of up left corner 3. Send the Y coordinate of up left corner 4. Send the X coordinate of bottom right corner 5. Send the Y coordinate of bottom right corner 6. Send the shift time (typical time is 70ms) 7.Wait until receive a module available byte ('E') from LED Display 8. Wait 2ms 	<pre> void Scroll_Section_Display_Memory_Right(int X0_Pos, int Y0_Pos, int X1_Pos, int Y1_Pos, int shift time) { Serial.write(0xd9); Serial.write(X0_Pos); Serial.write(Y0_Pos); Serial.write(X1_Pos); Serial.write(Y1_Pos); Serial.write(shift time); while (Serial.read() !='E') {} delay(2); } </pre>



0xed	Turn Backlight on/off	<ol style="list-style-type: none"> 1. Send 0xed 2. Send backlight on/off mode 3.Wait until receive a module available byte ('E') from LED Display 4. Wait 2ms 	<pre>void Turn Backlight on/off { Serial.write(0xed); Serial.write(mode); while (Serial.read() !='E') {} delay(2); }</pre>
0xf0	Turn display Off	<ol style="list-style-type: none"> 1. Send 0xf0 2.Wait until receive a module available byte ('E') from LED Display 3. Wait 2ms 	<pre>void Display_Off(void) { Serial.write(0xf0); while (Serial.read() !='E') {} }</pre>
0xf1	Turn display On	<ol style="list-style-type: none"> 1. Send 0xf1 2.Wait until receive a module available byte ('E') from LED Display 3. Wait 2ms 	<pre>void Display_On(void) { Serial.write(0xf1); while (Serial.read() !='E') {} delay(2); }</pre>
0xf2	Set the brightness of the LED Display	<ol style="list-style-type: none"> 1. Send 0xf2 2. Send the level of brightness (0~11) 3.Wait until receive a module available byte ('E') from LED Display 4. Wait 2ms 	<pre>void Set_Display_Brightness(int brightness) { Serial.write(0xf2); Serial.write(brightness); while (Serial.read() !='E') {} delay(2); }</pre>
0xf3	Inverse image	<ol style="list-style-type: none"> 1. Send 0xf3 2.Wait until receive a module available byte ('E') from LED Display 3. Wait 2ms 	<pre>void Inverse_Image(void) { Serial.write(0xf3); while (Serial.read() !='E') {} delay(2); }</pre>
0xf6	Change Instruction mode (0 for Hex Command, 1 for AT Command)	<ol style="list-style-type: none"> 1. Send 0xf6 2. Send instruction mode 1 3. Wait until receive a module available byte ('E') from LED Display 4. Wait 2ms 	<pre>int Change_Display_Mode(int mode) { Serial.write(0xf6); Serial.write(1); while (Serial.read() !='E') {} delay(2); }</pre>

ASCII code of 5X7 fonts and 8X16 fonts

Hex	Symbol	Hex	Symbol	Hex	Symbol
0x20		0x40	@	0x60	`
0x21	!	0x41	A	0x61	a
0x22	"	0x42	B	0x62	b
0x23	#	0x43	C	0x63	c
0x24	\$	0x44	D	0x64	d
0x25	%	0x45	E	0x65	e
0x26	&	0x46	F	0x66	f
0x27		0x47	G	0x67	g
0x28	(0x48	H	0x68	h
0x29)	0x49	I	0x69	i
0x2a	*	0x4a	J	0x6a	j
0x2b	+	0x4b	K	0x6b	k
0x2c	,	0x4c	L	0x6c	l
0x2d	-	0x4d	M	0x6d	m
0x2e	.	0x4e	N	0x6e	n
0x2f		0x4f	O	0x6f	o
0x30	0	0x50	P	0x70	p
0x31	1	0x51	Q	0x71	q
0x32	2	0x52	R	0x72	r
0x33	3	0x53	S	0x73	s
0x34	4	0x54	T	0x74	t
0x35	5	0x55	U	0x75	u
0x36	6	0x56	V	0x76	v
0x37	7	0x57	W	0x77	w
0x38	8	0x58	X	0x78	x
0x39	9	0x59	Y	0x79	y
0x3a	:	0x5a	Z	0x7a	z
0x3b	;	0x5b]	0x7a	{
0x3c	<	0x5c	\	0x7a	
0x3d	=	0x5d	[0x7a	}
0x3e	>	0x5e	^	0x7a	~
0x3f	?	0x5f	_	0x7a	<-



**ASCII code of
16X16 fonts**

Hex	Symbol
0x30	0
0x31	1
0x32	2
0x33	3
0x34	4
0x35	5
0x36	6
0x37	7
0x38	8
0x39	9

No. of 8X16 pattern

No.	Symbol
0	0
1	1
2	2
3	3
4	4
5	5
6	6
7	7
8	8
9	9

No. of 8X8 pattern

No.	Symbol
0	0
1	1
2	2
3	3
4	4
5	5
6	6
7	7
8	8
9	9

**No. of 16X16
pattern**

No.	Symbol
0	0
1	1
2	2
3	3
4	4
5	5
6	6
7	7
8	8
9	9

**No. of 32X32
pattern**

No.	Symbol
0	0
1	1
2	2
3	3
4	4
5	5
6	6
7	7
8	8
9	9
10	°C
11	°F
12	☼



HANDLING PRECAUTION

1. Mounting Method

The panel of the LCD Module consists of two thin glass plates with polarizes which easily get damaged since the Module is fixed by utilizing fitting holes in the printed circuit board. Extreme care should be taken when handling the LCD Modules.

2. Caution of LCD handling & cleaning

When cleaning the display surface, use soft cloth with solvent (recommended below) and Wipe lightly.

- Isopropyl alcohol
- Ethyl alcohol
- Trichlorotriflorothane

Do not wipe the display surface with dry or hard materials that will damage the polarize surface.

Do not use the following solvent :

- Water
- Kettle
- Aromatics.

3. Caution against static charge

The LCD Module use C-MOSLSI drivers, so we recommend end that you connect any unused input terminal to VDD or VSS, do not input any signals before power is turned on. And ground your body, Work/assembly table. And assembly equipment to protect against static electricity.

4. Packaging

- Modules use LCD elements, and must be treated as such. Avoid in tense shock and falls from a height.
- To prevent modules from degradation. Do not operate or store them exposed directly to sunshine or high temperature/humidity.

5. Caution for operation

-It is indispensable to drive LCD's with in the specified voltage limit since the higher voltage than the limit shorten LCD life.

An electrochemical reaction due to direct current causes LCD deterioration, Avoid the use of

direct current drive.

-Response time will be extremely delayed at lower temperature than the operating temperature range and on the other hand at higher temperature LCD's show dark color in them. However those phenomena do not mean malfunction or out of order with LCD's. Which will come back in the specified operating temperature range.

- If the display area is pushed hard during operation, some font will be abnormally displayed but it resumes normal condition after turning off once.

- A slight dew depositing on terminals is a cause for electro-chemical reaction resulting in terminal open circuit. Usage under the relative condition of 40 °C, 50%RH or less is required.

6. Storage

In the case of storing for a long period of time (for instance. For years) for the purpose or replacement use, The following ways are recommended.

- Storage in a polyethylene bag with sealed so as not to enter fresh air outside in it, And with no desiccant.

- Placing in a dark place where neither exposure to direct sunlight nor light is. Keeping temperature in the specified storage temperature range.

-Storing with no touch on polarizer surface by the anything else. (It is recommended to store them as they have been contained in the inner container at the time of delivery)

7. Safety

- It is recommendable to crash damaged or unnecessary LCD into pieces and wash off liquid crystal by using solvents such as acetone and ethanol. Which should be burned up later.

- When any liquid crystal leaked out of a damaged glass cell comes in contact with your hands, please wash it off well with soap and water.