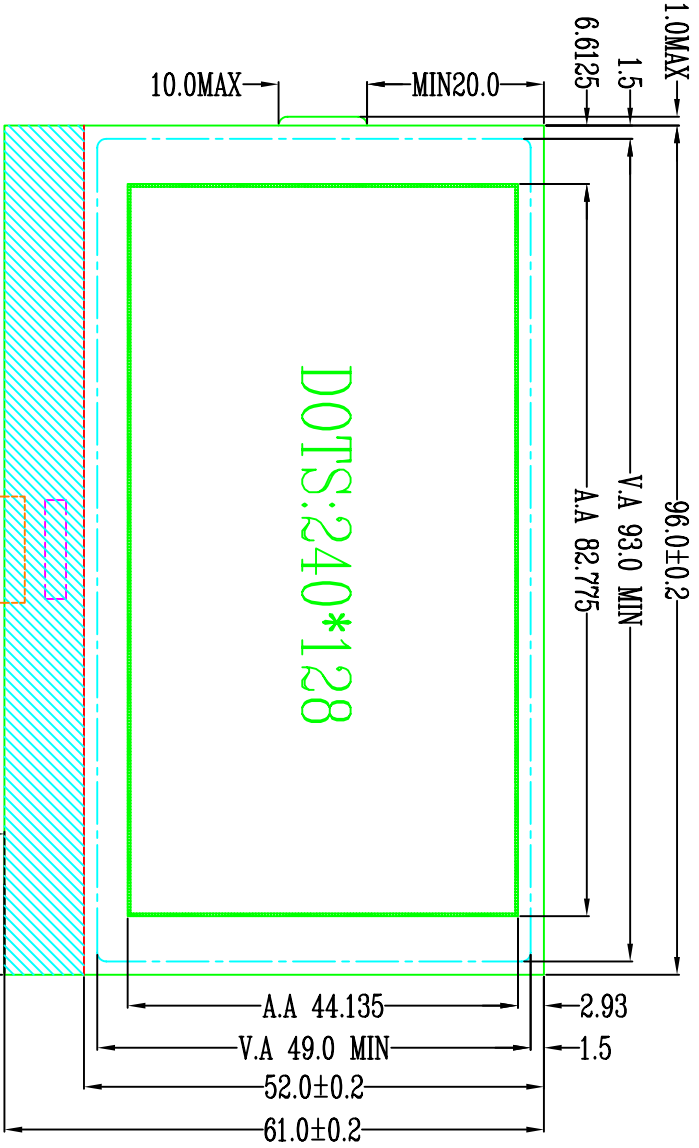
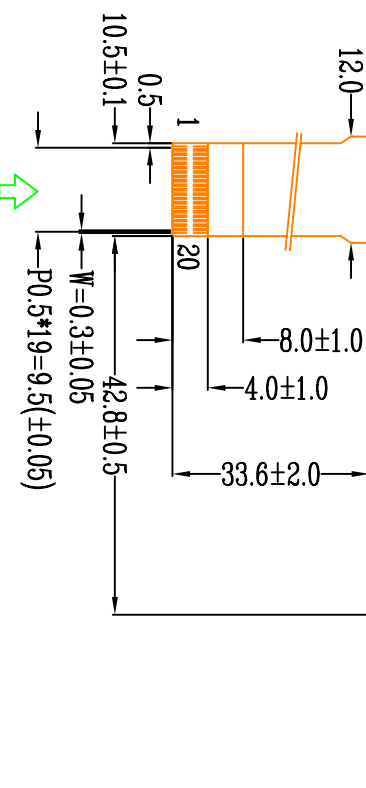
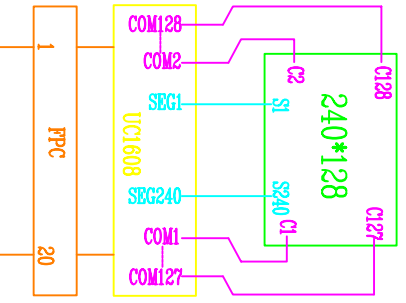


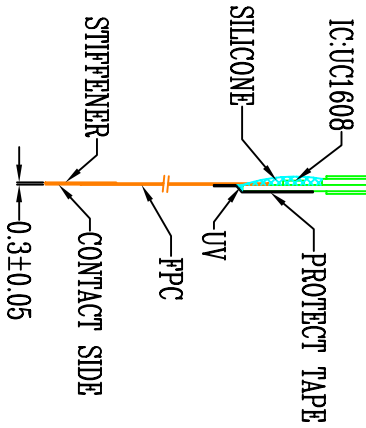
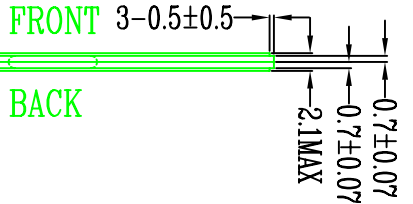
DOT DETAILS



DOTS:240\*128



6 0'CLOCK VIEWING DIRECTION



PPC ASSIGNMENT

PIN	SYMBOL
1	VB1-
2	VB1+
3	VB0-
4	VB0+
5	VLCD
6	VSS
7	VDD
8	D7
9	D6
10	D5
11	D4
12	D3
13	D2
14	D1
15	D0
16	WR1
17	WR0
18	CD
19	RST
20	CS

SUNLIKE DISPLAY TECH. CORP.

AMG240128A

NO.	CONTENT	DATE	DWN	CHK	APP	DATE	PROJECTION	VERSION	A	UNIT: MM	NO.1/1
△	NEW	2016.04.20		CHK	APP	16.04.20	AMG	A			
	AMEND										

- NOTES:
- 1.DISPLAY TYPE: FSTN
  - 2.VIEW DIRECTION: 6 0'CLOCK
  - 3.POLARIZER TYPE: TRANSPARENT/POSITIVE
  - 4.DRIVER METHOD: 1/128 DUTY 1/12 BIAS
  - 5.LCD DRIVING VOLTAGE: 14.8V±0.3V
  - 6.LOGIC SUPPLY VOLTAGE: 3.3V
  - 7.OPERATING TEMP: -20°C~+70°C
  - 8.STORAGE TEMP: -30°C~+80°C
  - 9.CONNECTOR TYPE: COG+PPC
  - 10.CONTROLLER/DRIVE IC: UCI608
  - 11.OTHER TOLERANCE: ±0.2mm