

SC1601D (16 CHARACTERS x 1 LINES)

FEATURES

- 5 x 7 DOTS WITH CURSOR
- BUILT-IN CONTROLLER (ST7066 OR EQUIVALENT)
- 3.3V / 5.0V POWER SUPPLY
- 1/16 DUTY CYCLE
- 8-BIT PARALLEL INTERFACE

ELECTRICAL CHARACTERISTICS

ITEM	SYMBOL	CONDITION	MIN.	TYP.	MAX.	UNIT
LCD Operating Voltage	V _{DD-Vo}	T=0	-	4.8	-	V
		T=25	-	4.5	-	V
		T=50	-	4.2	-	V
Supply Voltage	V _{DD-VSS}	-	2.7	5	5.5	V
Supply Current	I _{DD}	-	-	1.5	4	mA
Input Voltage	"HIGH" Level	V _{IH}	-	2.2	-	V _{DD} V
	"LOW" Level	V _{IL}	-	0	-	0.6 V
Output Voltage	"HIGH" Level	V _{OH}	-	2.4	-	V
	"LOW" Level	V _{OL}	-	-	-	0.4 V

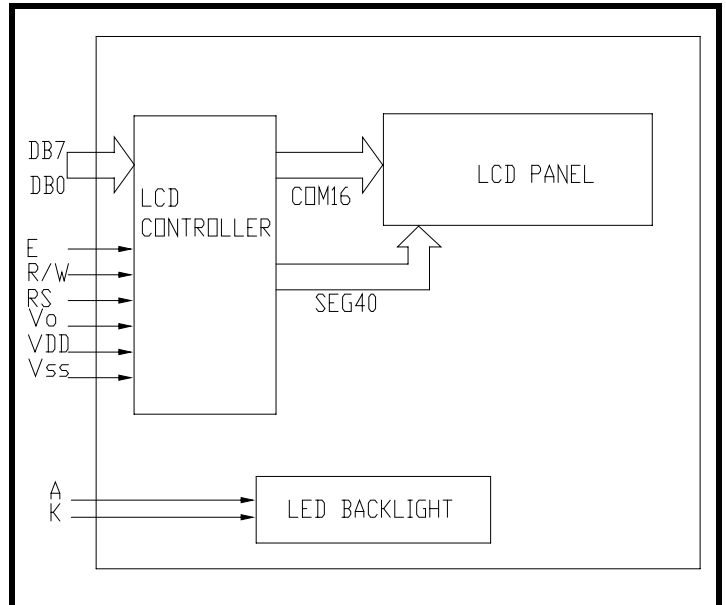
MECHANICAL DATA

ITEM	DIMENSIONS	UNIT
Module Size (W x H x T)	122.0 x 33.0 x 8.8 (13.5 LED)	mm
Viewing Area (W x H)	99.0 x 13.0	mm
Character Size (W x H)	4.84 x 9.70	mm
Character Pitch (W x H)	6.00 x 9.70	mm
Dot Size (W x H)	0.92 x 1.16	mm
Dot Pitch (W x H)	0.98 x 1.22	mm

INTERFACE PIN CONNECTIONS

NO.	SYMBOL	FUNCTION	NO.	SYMBOL	FUNCTION
1	V _{SS}	Supply Ground	9	DB2	Data Bit 2
2	V _{DD}	Supply Voltage	10	DB3	Data Bit 3
3	V _O	Contrast Adj.	11	DB4	Data Bit 4
4	RS	Register Select	12	DB5	Data Bit 5
5	R/W	Read/Write	13	DB6	Data Bit 6
6	E	Enable Signal	14	DB7	Data Bit 7
7	DB0	Data Bit 0			
8	DB1	Data Bit 1			

BLOCK DIAGRAM



EXTERNAL DIMENSIONS

