

SD1602X (16 CHARACTERS x 2 LINES)

FEATURES

- 5 x 7 DOTS WITH CURSOR
- BUILT-IN CONTROLLER (PCF2119SU/2)
- 3.0 V POWER SUPPLY
- 1/16 DUTY CYCLE
- IIC SERIAL INTERFACE

ELECTRICAL CHARACTERISTICS

| ITEM | SYMBOL | CONDITION | MIN. | TYP. | MAX. | UNIT |
|-----------------------|---------------------|-----------------|------|--------------------|--------------------|------|
| LCD Operating Voltage | V _{DD-Vo} | T=0 | - | - | - | V |
| | | T=25 | 4.2 | 4.5 | 4.8 | V |
| | | T=50 | - | - | - | V |
| Supply Voltage | V _{DD-VSS} | - | 2.2 | 3.0 | 3.5 | V |
| Supply Current | I _{DD} | - | - | 0.7 | 1.0 | mA |
| Input Voltage | "HIGH" Level | V _{IH} | - | 0.7V _{DD} | V _{DD} | V |
| | "LOW" Level | V _{IL} | - | 0 | 0.3V _{DD} | V |
| Output Voltage | "HIGH" Level | V _{OH} | - | 2 | - | V |
| | "LOW" Level | V _{OL} | - | - | 0.2V _{DD} | V |

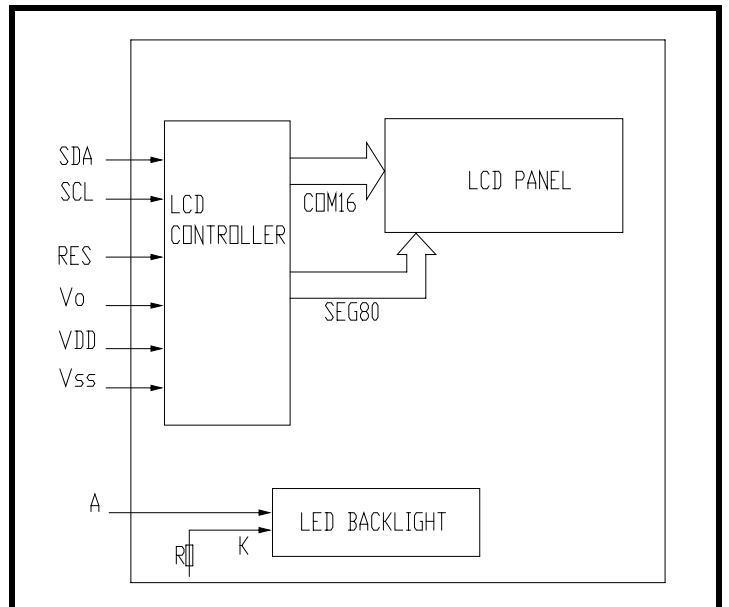
MECHANICAL DATA

| ITEM | DIMENSIONS | UNIT |
|-------------------------|---------------------|------|
| Module Size (W x H x T) | 73.25 x 35.5 x 11.5 | mm |
| Viewing Area (W x H) | 52.0 x 14.4 | mm |
| Character Size (W x H) | 2.55 x 4.99 | mm |
| Character Pitch (W x H) | 3.16 x 5.41 | mm |
| Dot Size (W x H) | 0.47 x 0.58 | mm |
| Dot Pitch (W x H) | 0.52 x 0.63 | mm |

INTERFACE PIN CONNECTIONS

| NO. | SYMBOL | FUNCTION |
|-----|-----------------|----------------------------------|
| 1 | V _{SS} | Supply Ground |
| 2 | V _{DD} | Supply Voltage |
| 3 | V _O | Contrast Adj. |
| 4 | SDA | IIC Bus Serial Data Input/Output |
| 5 | SCL | IIC Bus Serial Clock Input |
| 6 | A | LED Power |
| 7 | RES | Reset Input |

BLOCK DIAGRAM



EXTERNAL DIMENSIONS

