

SO2004A (20 CHARACTERS x 4 LINES)

FEATURES

OLED DISPLAY

5 x 7 DOTS WITH CURSOR

BUILT-IN CONTROLLER (US2066)

3.3 V POWER SUPPLY

1/16 DUTY CYCLE

COLOR : Yellow, Blue, Amber, White

LIFE : 50000 hours

MECHANICAL DATA

ITEM	DIMENSIONS	UNIT
Module Size (W x H x T)	98.0 x 60.0 x 8.5	mm
Viewing Area (W x H)	72.42 x 22.82	mm
Character Size (W x H)	2.97 x 4.77	mm
Character Pitch (W x H)	3.55 x 5.35	mm
Dot Size (W x H)	0.57 x 0.57	mm
Dot Pitch (W x H)	0.60 x 0.60	mm

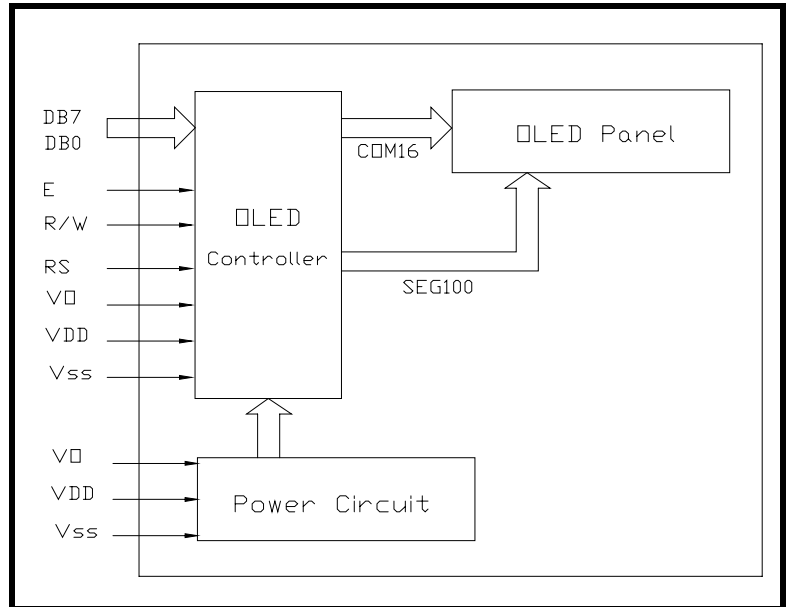
INTERFACE PIN CONNECTIONS

NO.	SYMBOL	FUNCTION	NO.	SYMBOL	FUNCTION
1	VSS	Supply Ground	9	DB2	Data Bit 2
2	VDD	Supply Voltage	10	DB3	Data Bit 3
3	Vo	Contrast Adj.	11	DB4	Data Bit 4
4	RS	Register Select	12	DB5	Data Bit 5
5	R/W	Read/Write	13	DB6	Data Bit 6
6	E	Enable Signal	14	DB7	Data Bit 7
7	DB0	Data Bit 0			
8	DB1	Data Bit 1			

ELECTRICAL CHARACTERISTICS

ITEM	SYMBOL	CONDITION	MIN.	TYP.	MAX.	UNIT
OLED Operating Voltage	V _{DD-Vo}	T=25	9	10	11.5	V
Supply Voltage	V _{DD-VSS}	-	2.4	3.3	3.6	V
Supply Current	I _{DD}	-	-	50	80	mA
Input Voltage	"HIGH" Level	V _{IH}	0.8V _{DD}	-	V _{DD}	V
	"LOW" Level	V _{IL}	0	-	0.2V _{DD}	V
Output Voltage	"HIGH" Level	V _{OH}	0.9V _{DD}	-	V _{DD}	V
	"LOW" Level	V _{OL}	0	-	0.1V _{DD}	V

BLOCK DIAGRAM



EXTERNAL DIMENSIONS

