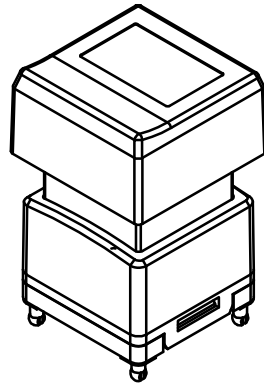
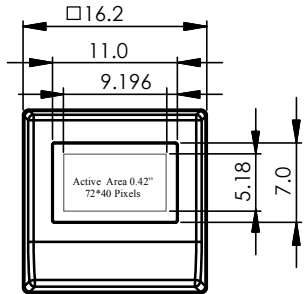
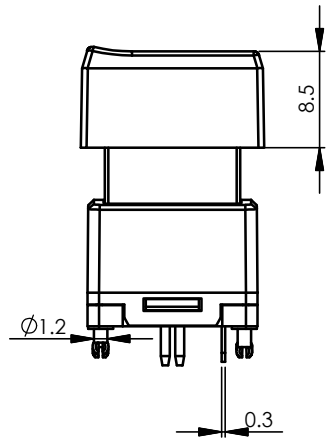
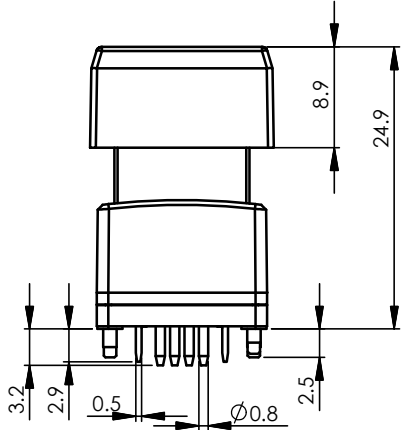


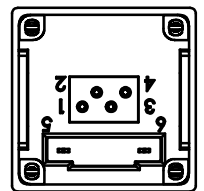
A



B



C



Part Number	Description
● SLC1TACY5	4.5mm Travel, Tactile feeling, 72*40pixels, Transparent Black Lens, With Polarizer, Black Cap
● SLC1TACN5	4.5mm Travel, Tactile feeling, 72*40pixels, Transparent Black Lens, Without Polarizer, Black Cap

D

### General Specifications

Switch  
 Current Rating :100mA  
 Voltage Rating :12VDC  
 Contact Resistance :100m Ohm (initial)  
 Insulation Resistance :100M Ohm Min.  
 Operating Force :200gf ± 50gf  
 Total Travel :4.5mm ± 0.50mm  
 Mechanical Life :5,000,000 cycles Min.  
 Function :Momentary(SPST)  
 Solder Specifications :260 °C for 3 seconds  
 Operating Temperature :-40°C ~ +80 °C

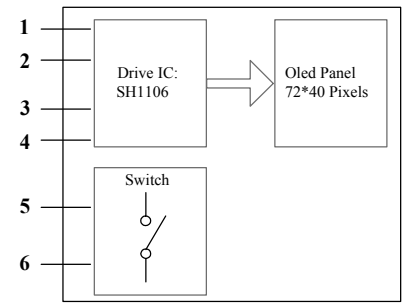
Oled  
 Oled type :White & Black  
 Driver IC :SH1106  
 Interface :I2C  
 Color :White  
 Drive duty :1/40 duty.  
 Input voltage :3.3V  
 Active Area :9.196(W)mm\*5.18(H)mm  
 Dot Size :0.108(W)mm\*0.11(H)mm  
 Dot Pitch :0.128(W)mm\*0.13(H)mm  
 Display Format :72\*40 Pixels  
 Life time (450cd/m²) :1500 hour

Materials  
 Cap :Acrylonitrile Butadine Styrene (ABS)  
 Lens :Polycarbonate (PC)  
 Reflector :Polyoxymethylen (POM)  
 Base :Polyamide (PA)  
 Moving contact :Phosphor Bronze with gold plating  
 Terminal :Brass with gold plating  
 Spring :SUS

Application  
 • Industrial equipmene  
 • Public building  
 • Machine tool  
 • Medical equipment  
 • Robot  
 • Transportation  
 • 3C  
 • High-end Technology

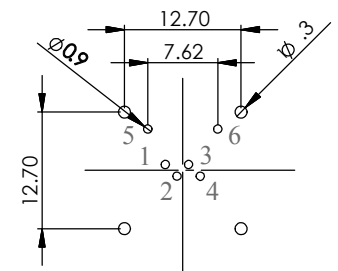
Feature  
 • I2C interface  
 • Oled display  
 • Pushbutton Switches

### Circuit Diagram



Pin	Name	Function	Level
1	GND	Ground for System.	0V
2	VDD	Power Supply for System	3.3V
3	SCL	I2C bus clock signal	H/L
4	SDA	I2C bus data signal	H/L
5	SW COM.	Switch Common	
6	SW NO.	Switch Normal Open	

### PCB layout



**SUNLIKE DISPLAY TECH. CORP.**

TITLE: 圖名 **SLC-7240**

Description: 說明: **OLED with Pushbutton Switches**

SCALE: 1.5:1	版本 EDITION	A/0	SHEET 1 OF 1
--------------	------------	-----	--------------

0.000 °±0.25 °	0.000 ±0.005	NAME	DATE
0.00 °±0.5 °	0.00 ±0.05	DRAWN	Zoe Huang 2020/6/29
0.0 °±1 °	0.0 ±0.2	CHK'D	Thomas Liao 2020/6/29
0 °±2 °	0 ±0.5	APPVD	
ANGULAR:	LINEAR:	最後修訂日期 Last Save Date	2020/6/29
TOLERANCES:		圖框 : 05-DR-01	UNIT : mm