

SH240160B (240 DOTS X 160 DOTS)

FEATURES

- BUILT-IN CONTROLLER (RA8835)
- +5.0V POWER SUPPLY
- 1/160 DUTY CYCLE
- 8-BIT PARALLEL INTERFACE

MECHANICAL DATA

ITEM	DIMENSIONS	UNIT
Module Size (W x H x T)	80.0 x 65.0 x 6.5 (9.0 LED)	mm
Viewing Area (W x H)	61.6 x 42.5	mm
Active Area (W x H)	57.59 x 38.39	mm
Dot Size (W x H)	0.23 x 0.23	mm
Dot Pitch (W x H)	0.24 x 0.24	mm

INTERFACE PIN CONNECTIONS

NO.	SYMBOL	LEVEL	FUNCTION
1	V _{EE}	-	Power Supply Voltage For LCD
2	V _{SS}	0V	Power Supply Ground
3	V _{DD}	5V	Power Supply Voltage
4	V _o	-	Contrast Adjustment Voltage
5	/WR	L	Write Signal
6	/RD	L	Read Signal
7	/CS	L	Chip Signal
8	A _o	H/L	Data Type Select
9	/RES	H/L	Reset Signal
10~17	DB0~DB7	H/L	Data Bus Line
18	NC	-	No Control
19	NC	-	No Control
20	B/L_ON	H	B/L Control Signal

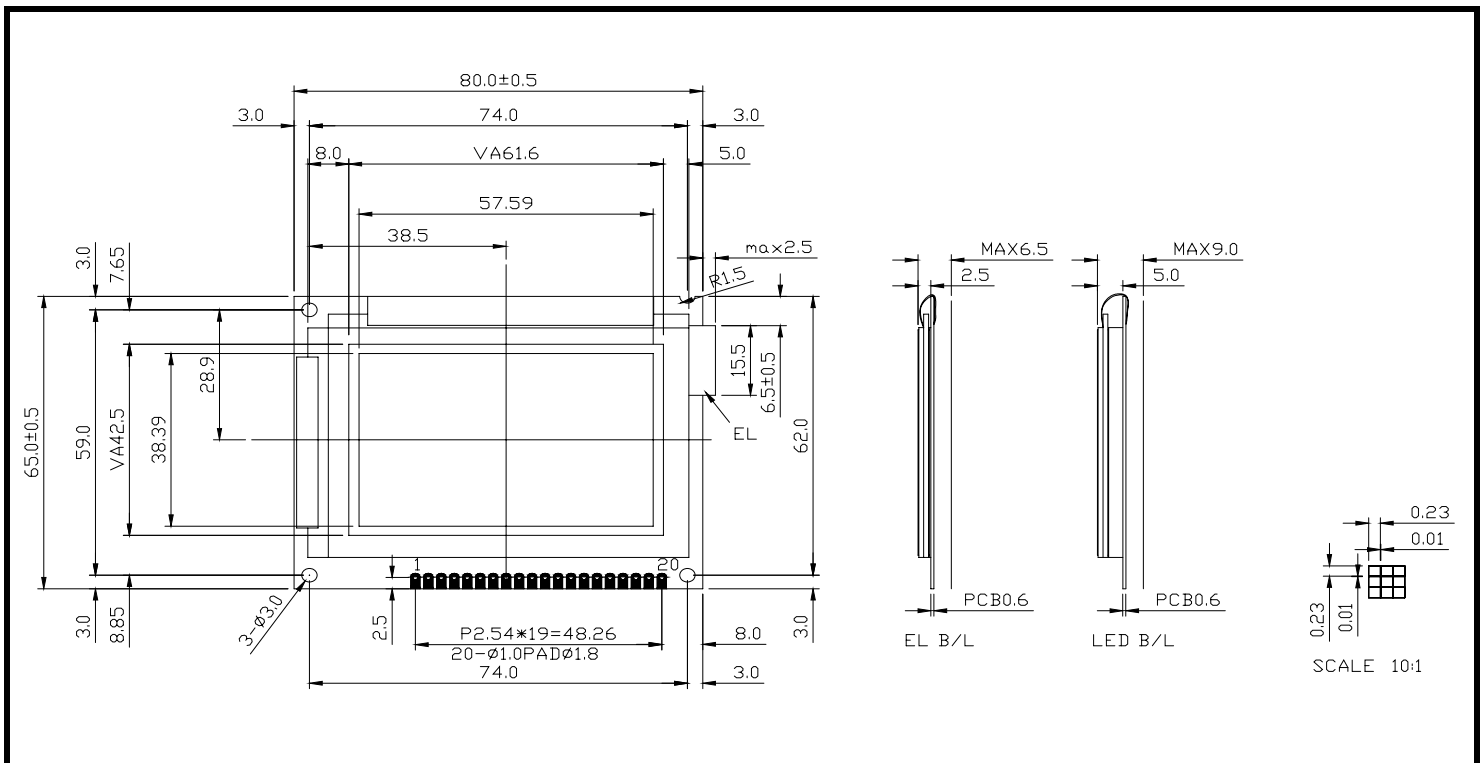
ABSOLUTE MAXIMUM RATINGS

ITEM	SYMBOL	MIN.	TYP.	MAX.	UNIT
Supply Voltage For Logic	V _{DD} -V _{SS}	0	-	7	V
Supply Voltage For LCD Drive	V _{DD} -V _o	0	-	30	V
Input Voltage	V _I	V _{SS}	-	V _{DD}	V

ELECTRICAL CHARACTERISTICS

ITEM	SYMBOL	CONDITION	MIN.	TYP.	MAX.	UNIT	
Supply Voltage For Logic	V _{DD} -V _{SS}	-	4.5	5	5.5	V	
LCD Supply Voltage	V _{DD} -V _o	V _{DD} =5V T _a =25	17.8	18.5	19.2	V	
Supply Current	I _{DD}	V _{DD} =5V	-	58	65	mA	
Input Voltage	"HIGH" Level	V _{IH}	-	2.2	-	V _{DD}	V
	"LOW" Level	V _{IL}	-	-	-	0.6	V
Output Voltage	"HIGH" Level	V _{OH}	-	2.4	-	V	V
	"LOW" Level	V _{OL}	-	-	-	0.4	V

EXTERNAL DIMENSIONS



SCALE 10:1