

# SO1602A ( 16 CHARACTERS x 2 LINES )

## FEATURES

OLED DISPLAY

5 x 7 DOTS WITH CURSOR

BUILT-IN CONTROLLER (US2066)

3.3 V POWER SUPPLY

1/16 DUTY CYCLE

COLOR : Yellow, Blue, Amber, White

LIFE : 50000 hours

## MECHANICAL DATA

ITEM	DIMENSIONS	UNIT
Module Size (W x H x T)	80.0 x 36.0 x 8.5	mm
Viewing Area (W x H)	58.22 x 13.52	mm
Character Size (W x H)	2.97 x 5.57	mm
Character Pitch (W x H)	3.55 x 5.95	mm
Dot Size (W x H)	0.57 x 0.67	mm
Dot Pitch (W x H)	0.60 x 0.70	mm

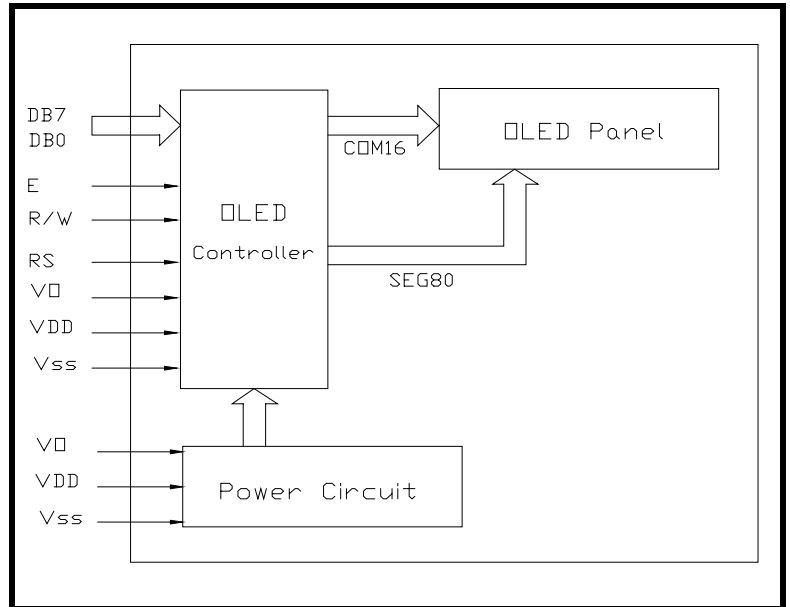
## INTERFACE PIN CONNECTIONS

NO.	SYMBOL	FUNCTION	NO.	SYMBOL	FUNCTION
1	V <sub>SS</sub>	Supply Ground	9	DB2	Data Bit 2
2	V <sub>DD</sub>	Supply Voltage	10	DB3	Data Bit 3
3	V <sub>O</sub>	Contrast Adj.	11	DB4	Data Bit 4
4	RS	Register Select	12	DB5	Data Bit 5
5	R/W	Read/Write	13	DB6	Data Bit 6
6	E	Enable Signal	14	DB7	Data Bit 7
7	DB0	Data Bit 0			
8	DB1	Data Bit 1			

## ELECTRICAL CHARACTERISTICS

ITEM	SYMBOL	CONDITION	MIN.	TYP.	MAX.	UNIT
OLED Operating Voltage	V <sub>DD-V<sub>O</sub></sub>	T=25	9	10	11.5	V
Supply Voltage	V <sub>DD-V<sub>SS</sub></sub>	-	2.4	3.3	3.6	V
Supply Current	I <sub>DD</sub>	-	-	50	80	mA
Input Voltage	"HIGH" Level	V <sub>IH</sub>	0.8V <sub>DD</sub>	-	V <sub>DD</sub>	V
	"LOW" Level	V <sub>IL</sub>	0	-	0.2V <sub>DD</sub>	V
Output Voltage	"HIGH" Level	V <sub>OH</sub>	0.9V <sub>DD</sub>	-	V <sub>DD</sub>	V
	"LOW" Level	V <sub>OL</sub>	0	-	0.1V <sub>DD</sub>	V

## BLOCK DIAGRAM



## EXTERNAL DIMENSIONS

