



§ SPECIFICATION APPROVAL SHEET §

Module No.: AMU-240320-028R
AMU-240320-028RP
AMU-240320-028RT

Description: 2.8" TFT-LCD Series Module

Version: 1.2

Issue Date: April 29, 2020

Customer:	Approved By:
Date: / /	

Approved By: Designed By:
Peng Jun Peter

This technical specification is subject to change without notice

Revision History

NO	Date	Description
V1.0	Aug. 9, 2019	Initial version.
V1.1	Oct. 7, 2019	Update product name.
V1.2	Apr. 29, 2020	Update product picture.

1. General Description

- Display type: 2.8" TFT-LCD
- Display resolution: 240(RGB) × 320 dots
- Display color: 262K
- Advanced ARM core processor
- 8 MB DDR RAM / 128 MB NAND Flash
- Touch type: non-touch / capacitive touch / resistive touch
- Interface: USB 2.0 HS / UART / RS232
- GPIO supported
- RTC supported
- Buzzer supported
- ADC supported
- SD card optional
- GUI software provided

2. General Specification

1-1 LCD and Touch Panel

PARAMETER	SPECIFICATION
Display Type	2.8" TFT-LCD
Display Mode	Transmission/ Normally Black
Display Resolution	240(RGB) × 320 dots
Color	262K
Color Filter Array	RGB vertical stripe
View Angle(T/B/L/R)	80 / 80 / 80 / 80 Degree
Back Light LED	4 White LED
Luminance	230 cd/m2
Display Endurance	> 50000 Hr
Contrast Ratio	800
Module Dimension	53.91(W) × 92.30(H) mm
Active Area	43.2(W) × 57.6(H) mm
Pixel Pitch	0.18(W) × 0.18(H) mm
Touch Type	Non-Touch Capacitive / Single Point Resistive / Single Point
Touch Screen Transparency	Resistive: ≥ 78 % Capacitive: ≥ 86 %
Touch Screen Endurance	1,000,000 times

1-2 Environment

PARAMETER	SPECIFICATION	Unit
Operating Temperature	-20 ~ +70	°C
Storage Temperature	-30 ~ +80	°C

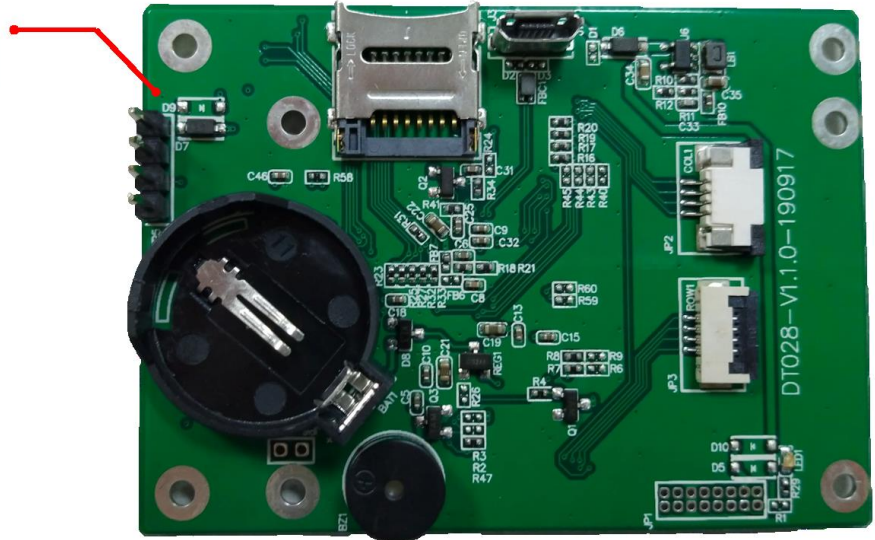
1-3 Electronic

PARAMETER	Typ	Unit
VCC(Supply Voltage)	5	V
ICC(Supply Current)	140	mA

1-4 Storage Capacity

PARAMETER	Typ	Unit
Estimated Number of Full Screen Images Stored (.jpg)	1747	pieces
Estimated Number of Full Screen Images Stored (.bmp)	436	

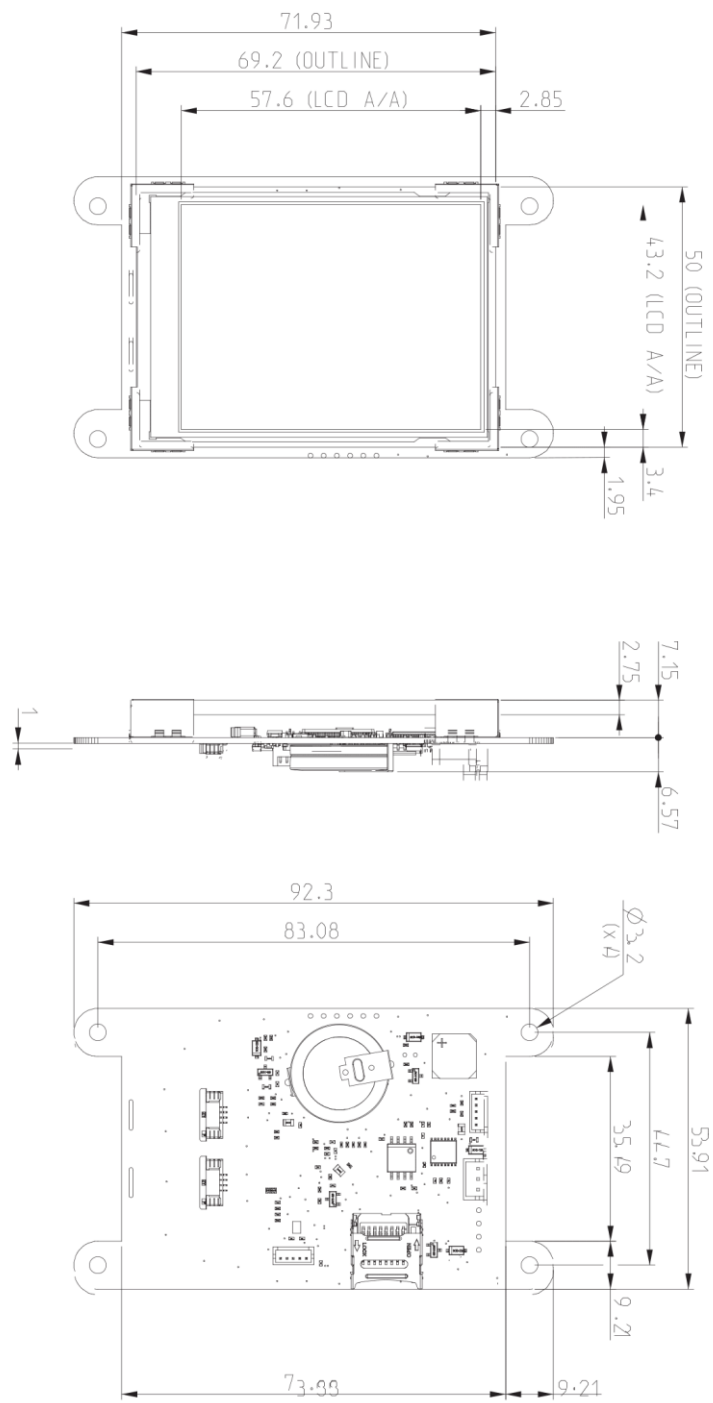
3. Pin Description



Pin	Component	Symbol	I/O
1	UART / RS232	5V in	Power
2		TX	Out
3		RX	In
4		GND	Power

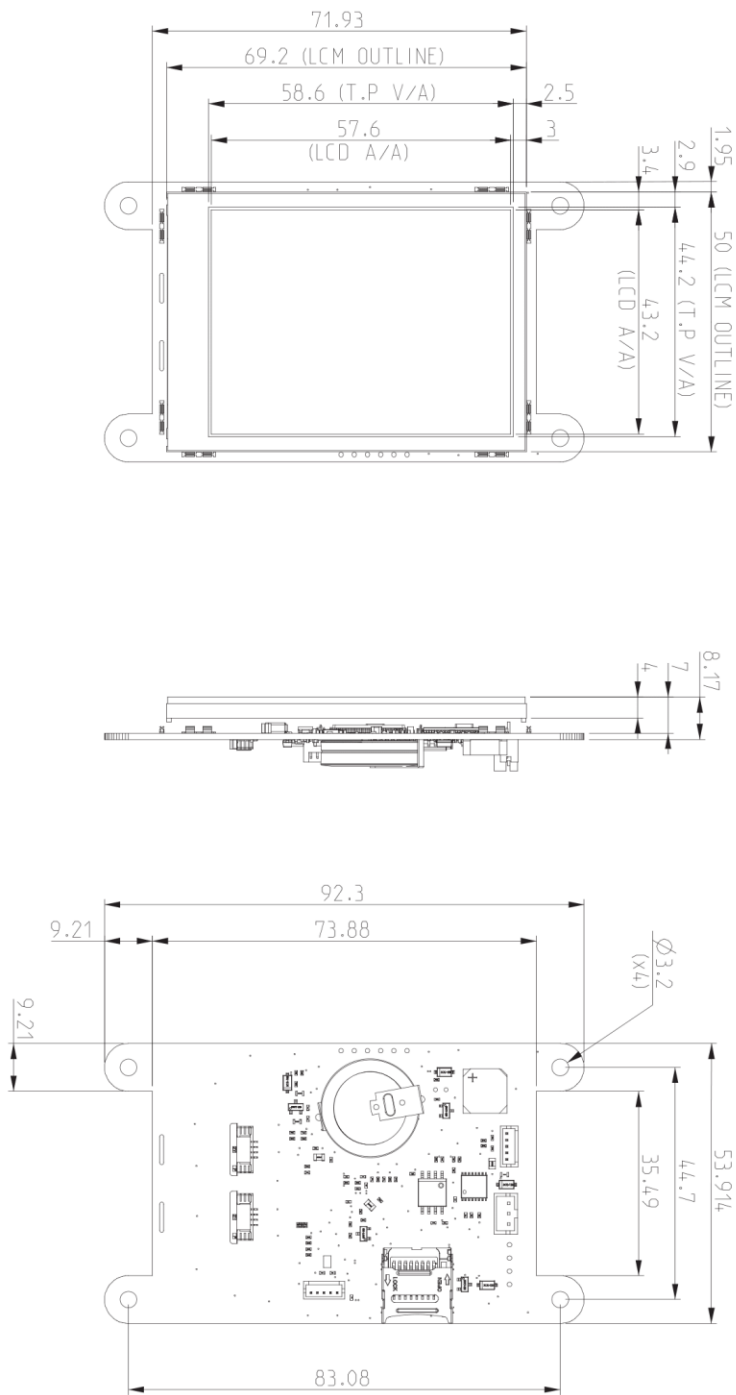
4. Dimension Information

Model: AMU-240320-028R (2.8" TFT-LCD display module)



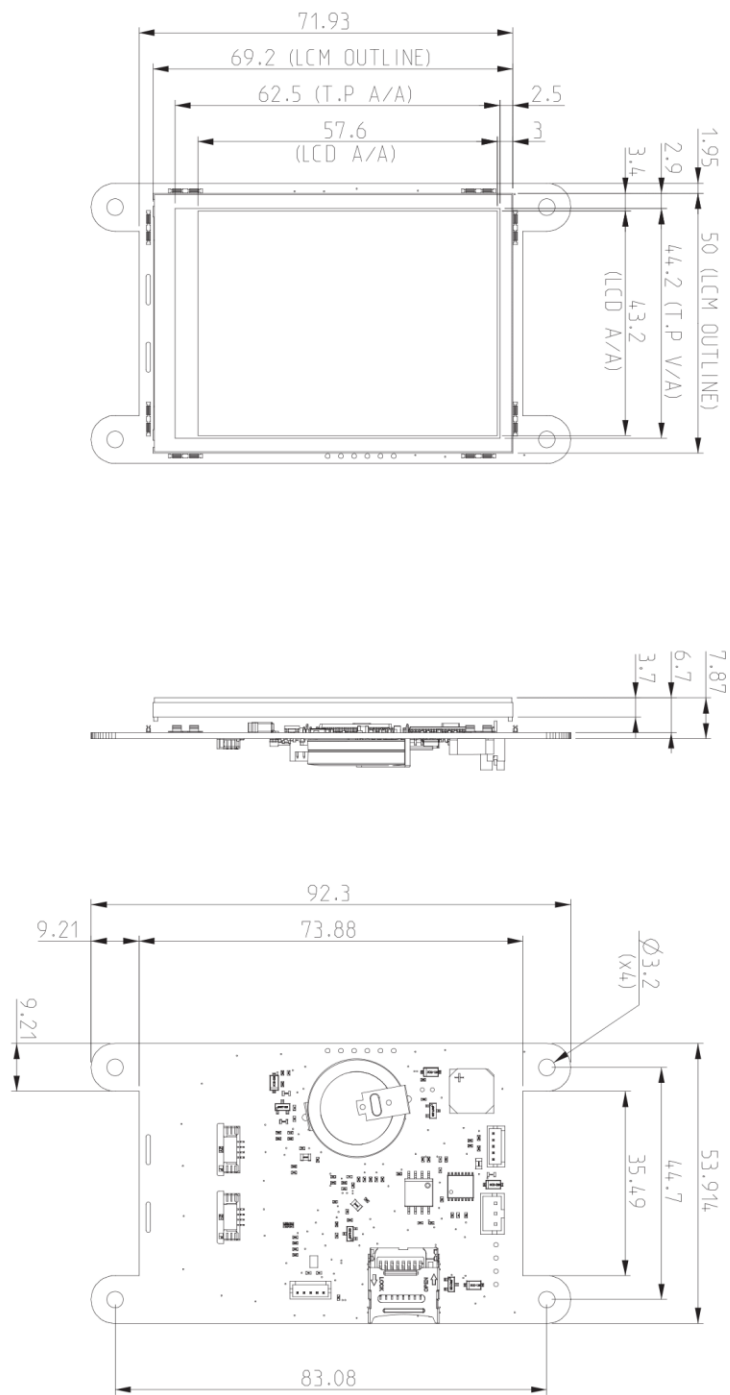
This technical specification is subject to change without notice

Model: AMU-240320-028RP (2.8" TFT-LCD display module with capacitive touch)



This technical specification is subject to change without notice

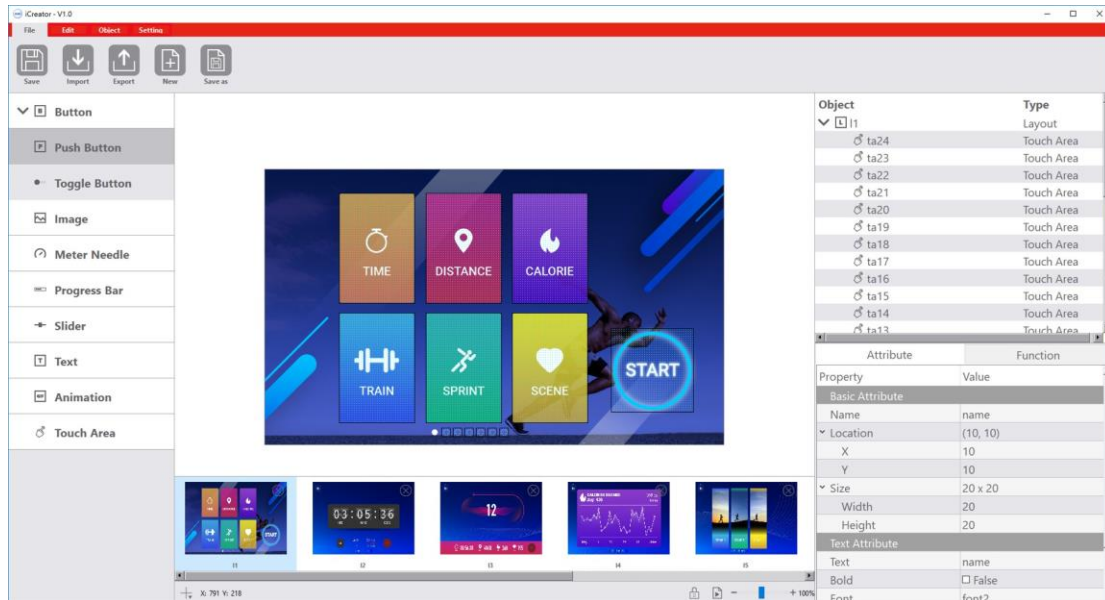
Model: AMU-240320-028RT (2.8" TFT-LCD display module with resistive touch)



This technical specification is subject to change without notice

5. HMI Configurator – iCreator

Amson has created the iCreator Software Environment for Programming, Control Configuration and Interface Design. GUI is designed with the principle - “What You See is What You Get” for seamless and ease in design.



iCreator Interface

For more information, please refer to HMI Developer Documentation.