



## § SPECIFICATION APPROVAL SHEET §

Module No.: AMU-320480-035N  
AMU-320480-035NP  
AMU-320480-035NT

---

Description: 3.5" TFT-LCD Series Module

---

Version: 1.2

---

Issue Date: April 29, 2020

---

Customer:	Approved By:
Date: / /	

Approved By: Peng Jun  
Designed By: Peter

---

## ***Revision History***

NO	Date	Description
V1.0	Aug. 16, 2019	Initial version.
V1.1	Oct. 7, 2019	Update product name.
V1.2	Apr. 29, 2020	Update product picture.

## ***1. General Description***

- Display type: 3.5" TFT-LCD
- Display resolution: 320(RGB) × 480 dots
- Display color: 262K
- Advanced ARM core processor
- 8 MB DDR RAM / 128 MB NAND Flash
- Touch type: non-touch / capacitive touch / resistive touch
- Interface: USB 2.0 HS / UART / RS232
- GPIO supported
- RTC supported
- Buzzer supported
- ADC supported
- SD card optional
- GUI software provided

## 2. General Specification

### 1-1 LCD and Touch Panel

<b>PARAMETER</b>	<b>SPECIFICATION</b>
Display Type	3.5" TFT-LCD
Display Mode	IPS/ Transmission/ Normally Black
Display Resolution	320(RGB) × 480 dots
Color	262K
Color Filter Array	RGB vertical stripe
View Angle(T/B/L/R)	80 / 80 / 80 / 80 Degree
Back Light LED	6 White LED
Luminance	300 cd/m2
Display Endurance	> 20000 Hr
Contrast Ratio	700
Module Dimension	62.4(W) × 110.4(H) mm
Active Area	48.96(W) × 73.44(H) mm
Pixel Pitch	0.153(W) × 0.153(H) mm
Touch Type	Non-Touch Capacitive / Single Point Resistive / Single Point
Touch Screen Transparency	Resistive: ≥ 80 % Capacitive: ≥ 82 %
Touch Screen Endurance	1,000,000 times

### 1-2 Environment

<b>PARAMETER</b>	<b>SPECIFICATION</b>	<b>Unit</b>
Operating Temperature	-20 ~ +70	°C
Storage Temperature	-30 ~ +80	°C

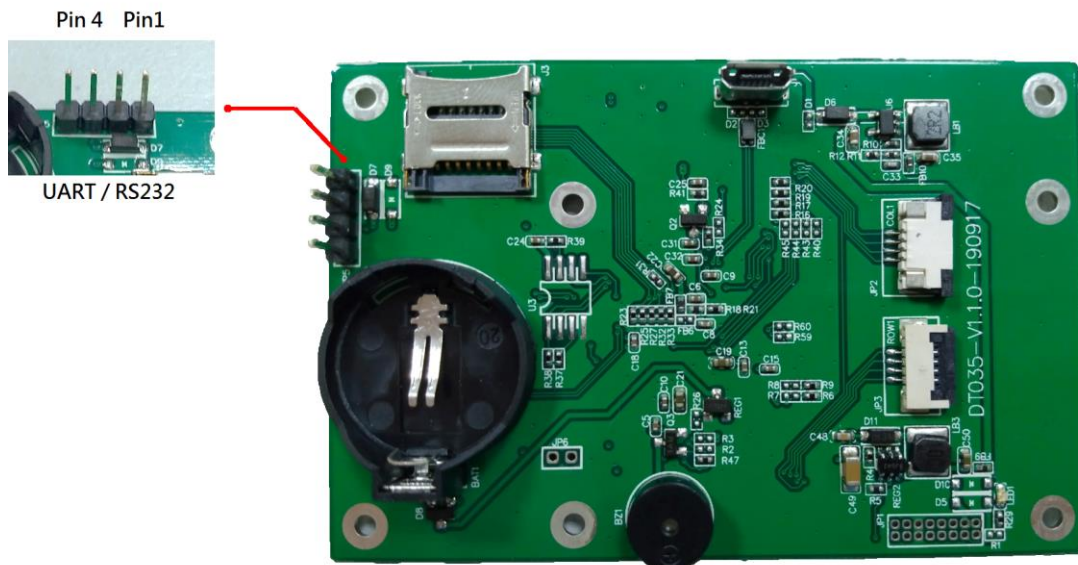
### 1-3 Electronic

<b>PARAMETER</b>	<b>Typ</b>	<b>Unit</b>
VCC(Supply Voltage)	5	V
ICC(Supply Current)	190	mA

### 1-4 Storage Capacity

<b>PARAMETER</b>	<b>Typ</b>	<b>Unit</b>
Estimated Number of Full Screen Images Stored (.jpg)	873	pieces
Estimated Number of Full Screen Images Stored (.bmp)	218	

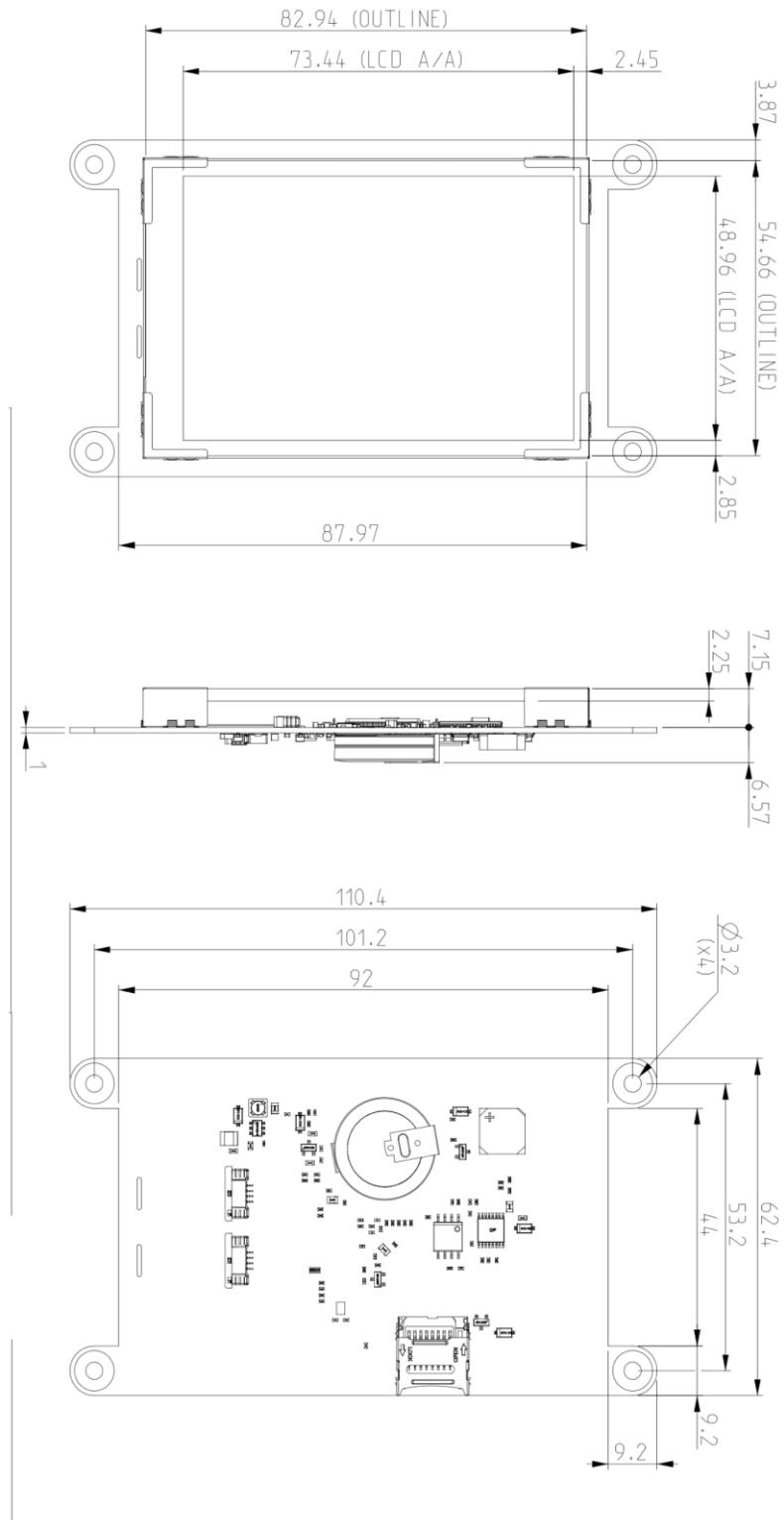
### 3. Pin Description



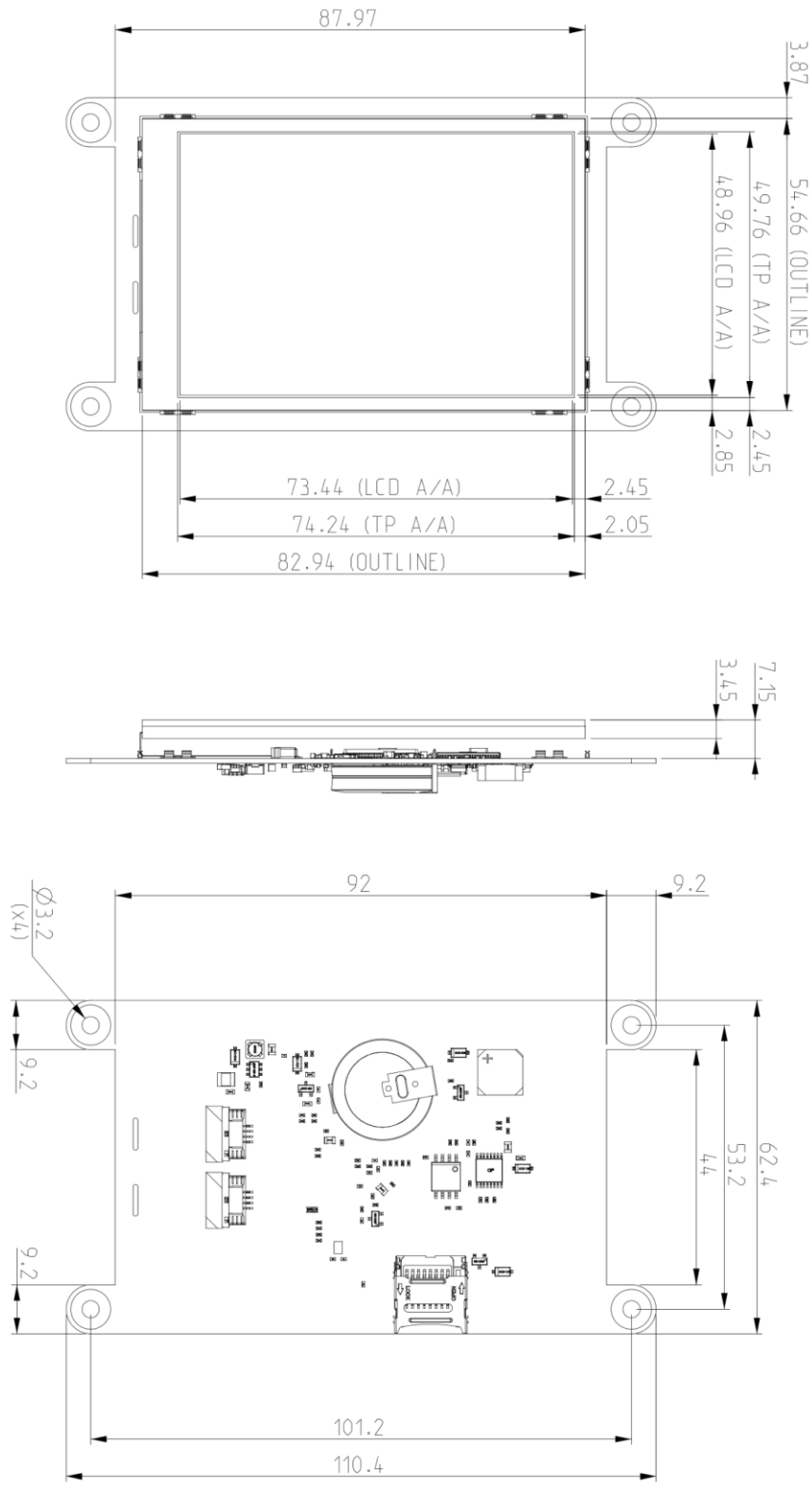
Pin	Component	Symbol	I/O
1	UART / RS232	5V in	Power
2		TX	Out
3		RX	In
4		GND	Power

## 4. Dimension Information

Model: AMU-320480-035N (3.5" TFT-LCD display module)



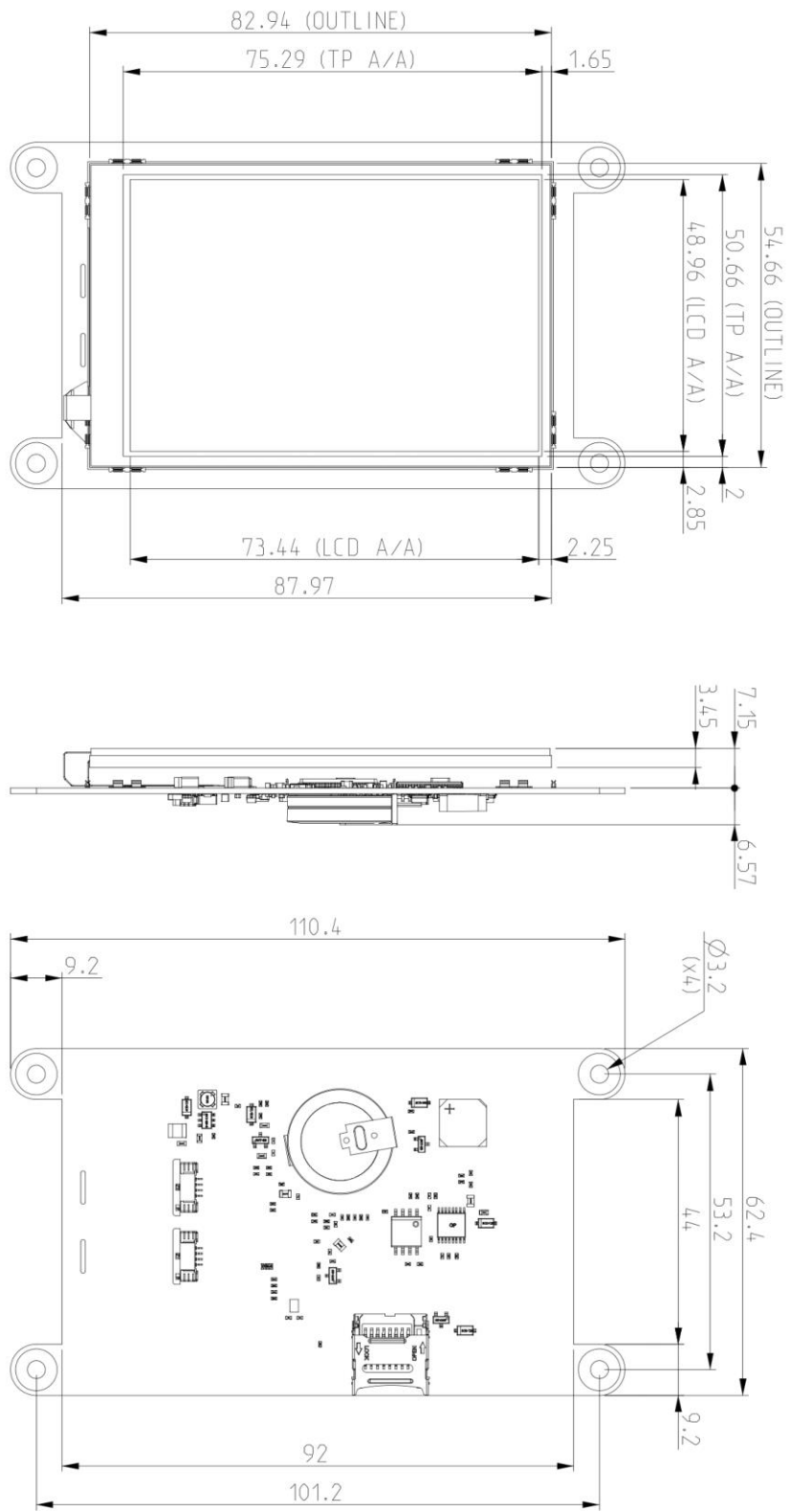
Model: AMU-320480-035NP (3.5" TFT-LCD display module with capacitive touch)



This technical specification is subject to change without notice



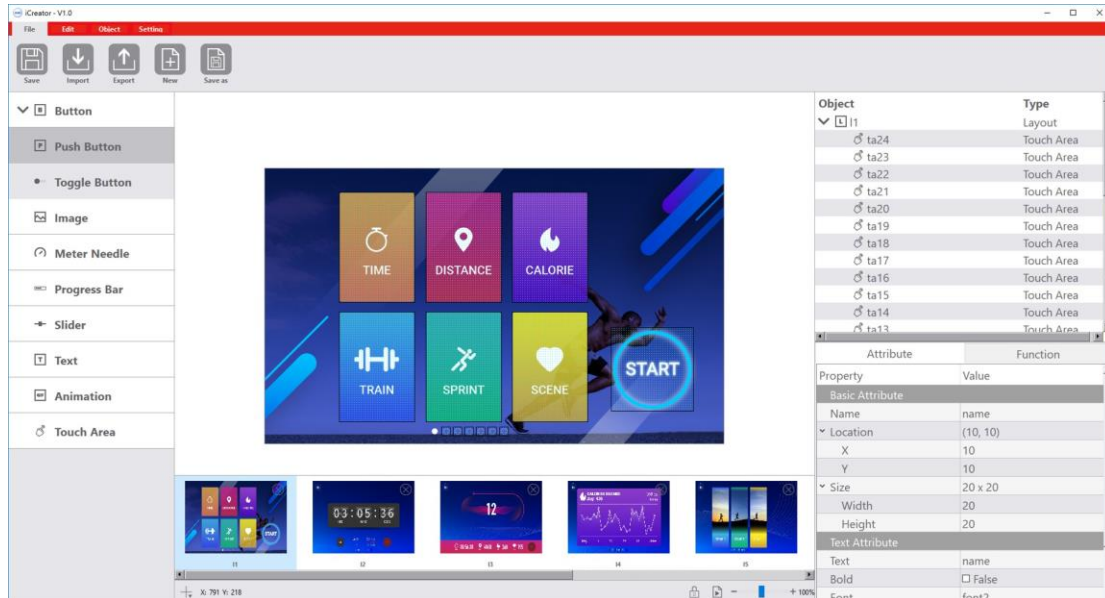
Model: AMU-320480-035NT (3.5" TFT-LCD display module with resistive touch)



This technical specification is subject to change without notice

## 5. HMI Configurator - iCreator

Amson has created the iCreator Software Environment for Programming, Control Configuration and Interface Design. GUI is designed with the principle - “What You See is What You Get” for seamless and ease in design.



iCreator Interface

For more information, please refer to HMI Developer Documentation.