



§ SPECIFICATION APPROVAL SHEET §

Module No.: AMU-800480-050J
AMU-800480-050JP
AMU-800480-050JT

Description: 5.0" TFT-LCD Series Module

Version: 1.1

Issue Date: October 7, 2019

Customer: Date: / /	Approved By:
--	--

Approved By: Designed By:
Peng Jun Peter

Revision History

NO	Date	Description
V1.0	Aug. 16, 2019	Initial version.
V1.1	Oct. 7, 2019	Update product name.

1. General Description

- Display type: 5.0" TFT-LCD
- Display resolution: 800(RGB) × 480 dots
- Display color: Full color
- Advanced ARM core processor
- 8 MB DDR RAM / 128 MB NAND Flash
- Touch type: non-touch / capacitive touch / resistive touch
- Interface: USB 2.0 HS / UART / RS232
- GPIO supported
- RTC supported
- Buzzer supported
- ADC supported
- SD card optional
- GUI software provided

2. General Specification

1-1 LCD and Touch Panel

PARAMETER	SPECIFICATION
Display Type	5.0" TFT-LCD
Display Mode	Normally White TN
Display Resolution	800(RGB) × 480 dots
Color	Full color
Color Filter Array	RGB vertical stripe
View Angle(T/B/L/R)	50 / 70 / 70 / 70 Degree
Back Light LED	12 White LED
Luminance	400 cd/m2
Display Endurance	> 50000 Hr
Contrast Ratio	500
Module Dimension	140.4(W) × 79.5(H) mm
Active Area	108.00(W) × 64.80(H) mm
Pixel Pitch	0.135(W) × 0.135(H) mm
Touch Type	Non-Touch Capacitive / Single Point Resistive / Single Point
Touch Screen Transparency	Resistive: ≥ 78 % Capacitive: ≥ 85 %
Touch Screen Endurance	1,000,000 times

1-2 Environment

PARAMETER	SPECIFICATION	Unit
Operating Temperature	-20 ~ +70	°C
Storage Temperature	-30 ~ +80	°C

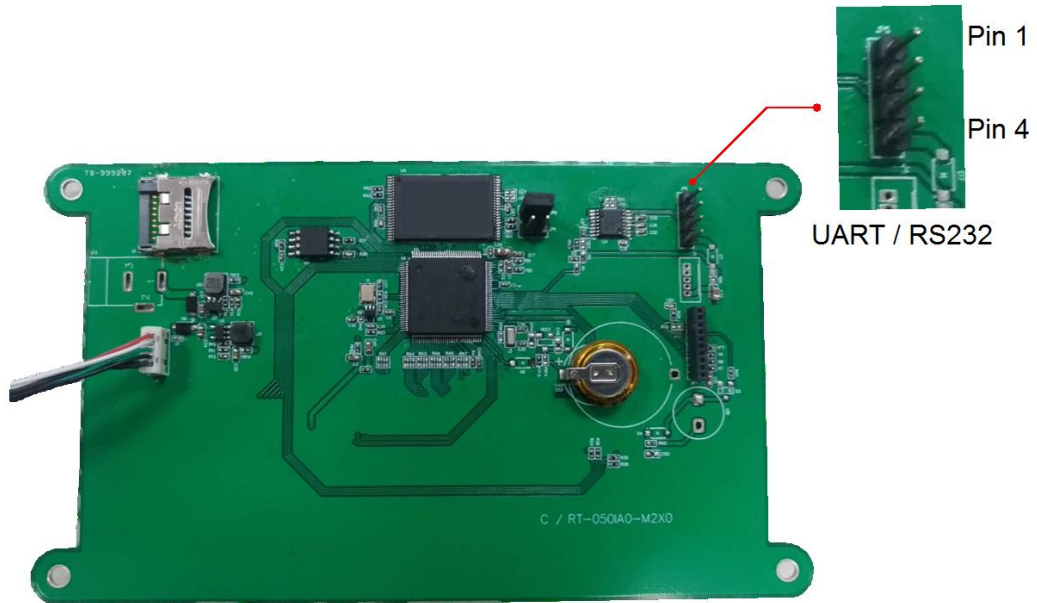
1-3 Electronic

PARAMETER	Typ	Unit
VCC(Supply Voltage)	5	V
ICC(Supply Current)	410	mA

1-4 Storage Capacity

PARAMETER	Typ	Unit
Estimated Number of Full Screen Images Stored (.jpg)	349	pieces
Estimated Number of Full Screen Images Stored (.bmp)	116	

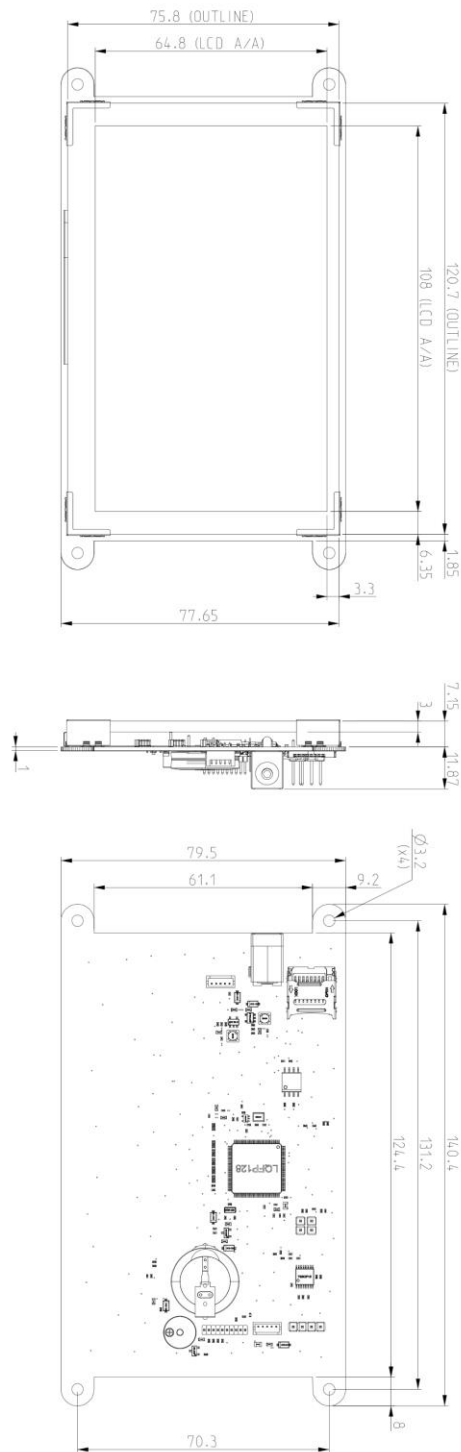
3. Pin Description



Pin	Component	Symbol	I/O
1	UART / RS232	GND	Power
2		RX	In
3		TX	Out
4		5V in	Power

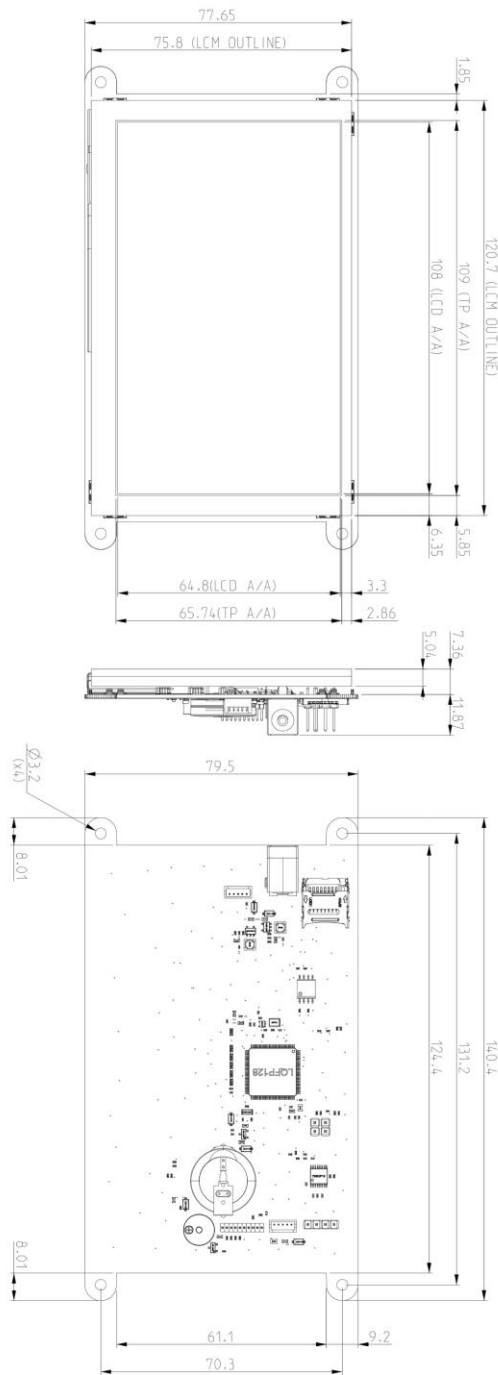
4. Dimension Information

Model: AMU-800480-050J (5.0" TFT-LCD display module)



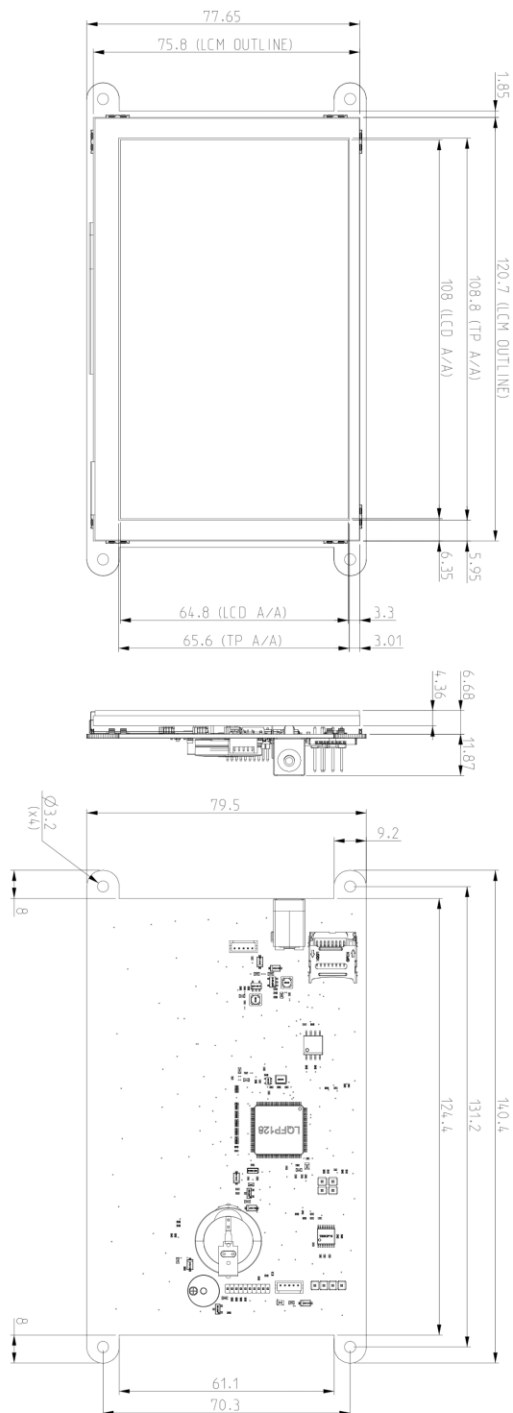
This technical specification is subject to change without notice

Model: AMU-800480-050JP (5.0" TFT-LCD display module with capacitive touch)



This technical specification is subject to change without notice

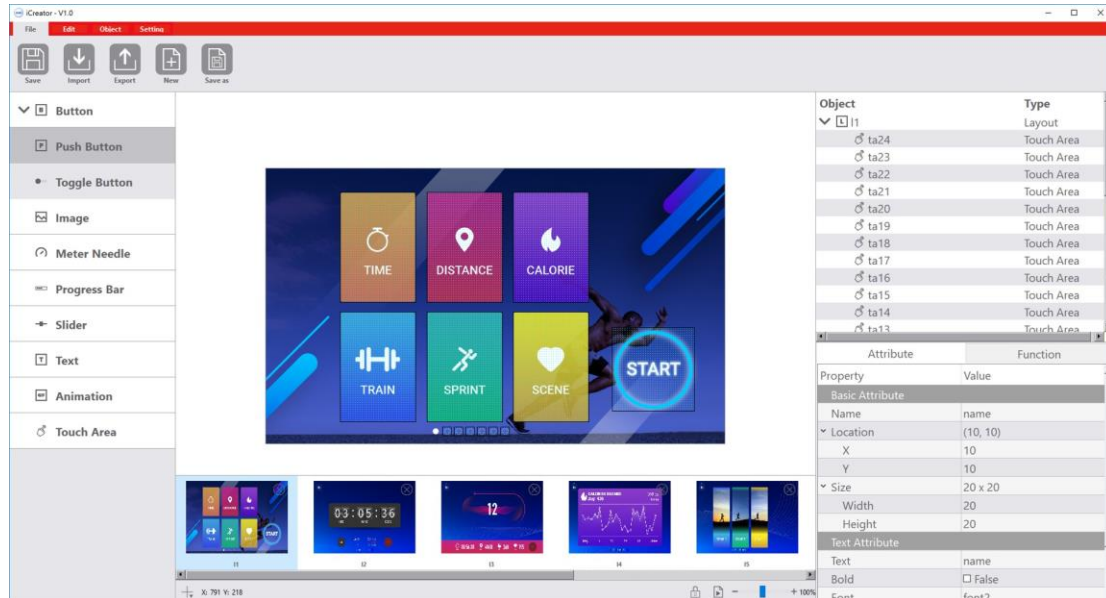
Model: AMU-800480-050JT (5.0" TFT-LCD display module with resistive touch)



This technical specification is subject to change without notice

5. HMI Configurator - iCreator

Amson has created the iCreator Software Environment for Programming, Control Configuration and Interface Design. GUI is designed with the principle - “What You See is What You Get” for seamless and ease in design.



iCreator Interface

For more information, please refer to HMI Developer Documentation.